

## Handwheels 2-spoke flat rim, aluminium

### Item description/product images



### Description

#### Material:

Handwheels aluminium.

Cylinder grip black thermoset PF 31-DIN 7708, centre pin electro zinc-plated steel.

#### Version:

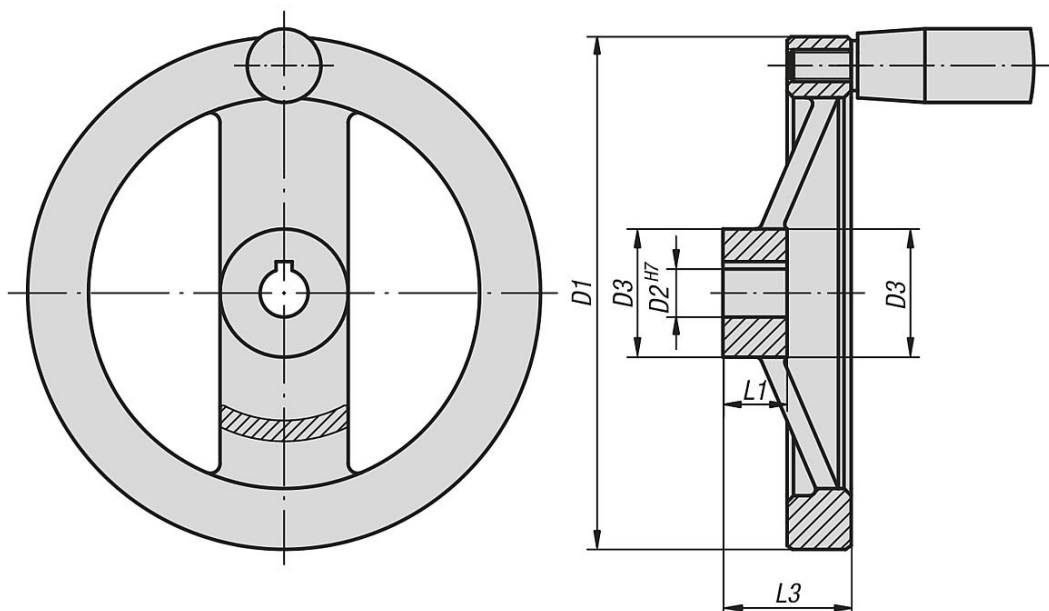
Wheel rim turned and polished.

Radial and axial run-out of rim < IT 12.

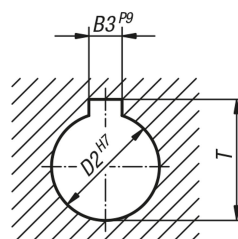
#### On request:

Hubs with square socket or powder-coated handwheels.

### Drawings



DIN 6885-1



### Overview of items