

Hinges die-cast zinc, with elongated holes

Item description/product images



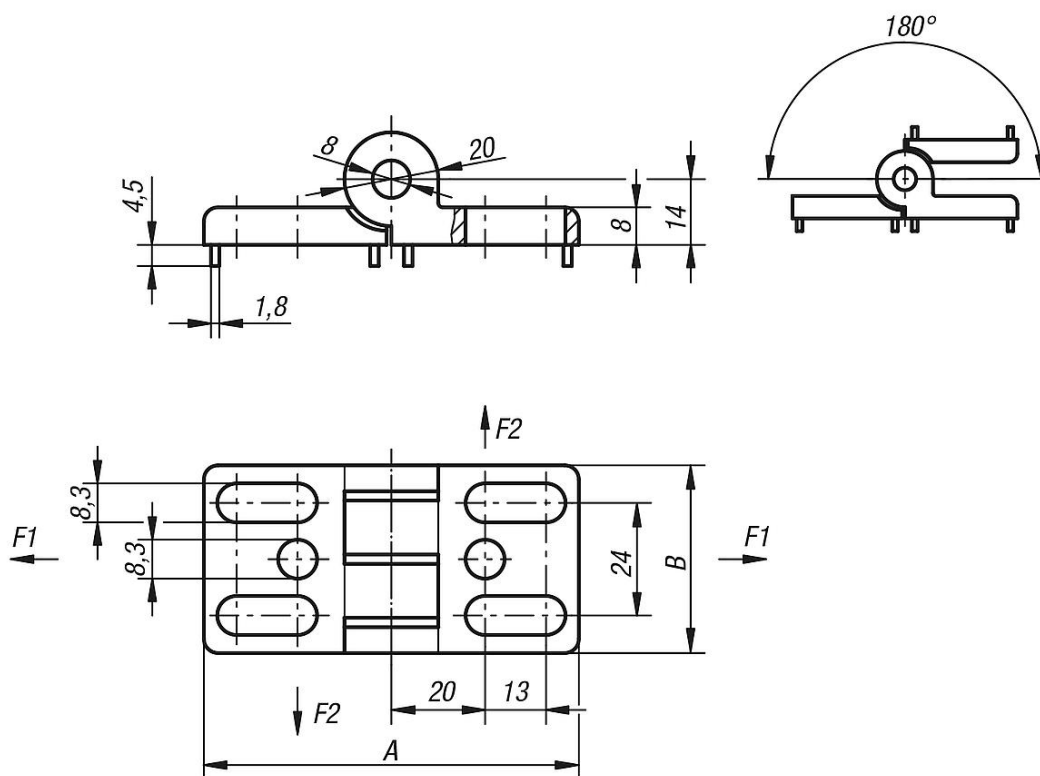
Description

Material:
 Die-cast zinc.
 Hinge pin stainless steel.
 Washer thermoplastic.

Version:
 Hinge black powder-coated.
 Pin bright.
 Washer black.

Note:
 Elongated holes enable easy horizontal adjustment.

Drawings



Overview of items

Hinges die-cast zinc, with elongated holes

Order No.	A	B	Guide tabs for slot	F1 max. kN	F2 max. kN
K0441.402020	80	40	-	1,2	0,5
K0441.40202008	80	40	8	1,2	0,5
K0441.40202010	80	40	10	1,2	0,5