

Handwheels 2-spoke plastic, with folding grip

Item description/product images



Description

Material:

Handwheel, reinforced and stabilised polyamide.
Centre caps, polyamide.
Centre bush and tapped insert for cylinder grip, steel.

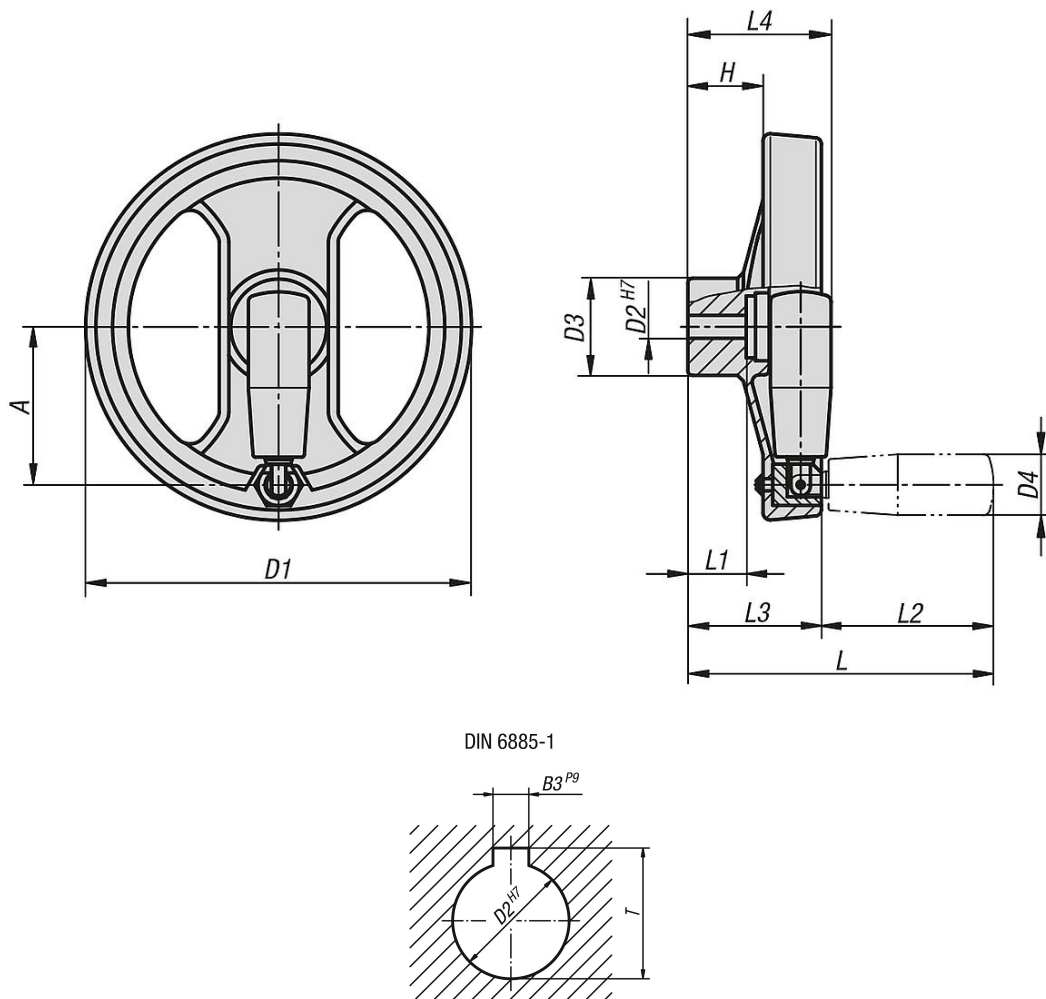
Version:

Handwheel, oil and grease resistant, black (RAL 9011), satin finish.
Centre caps, grey (RAL 7035).
Centre bush and taped insert for folding grip, black oxidised.

On request:

Other cap colours.
Special versions.

Drawings



Overview of items

Handwheels 2-spoke, plastic, with folding grip

Handwheels 2-spoke plastic, with folding grip

Overview of items

Order No.	Version	D1	D2	D3	D4	A	H	L	L1	L2	L3	L4	T	B3
K0725.6130X12	reamed hole	129	12H7	32	20	51	29	111	20	59	52	53	-	-
K0725.6130X14	reamed hole	129	14H7	32	20	51	29	111	20	59	52	53	-	-
K0725.6160X14	reamed hole	159	14H7	40	25	65	31	126	24	71	55	59	-	-
K0725.6160X16	reamed hole	159	16H7	40	25	65	31	126	24	71	55	59	-	-
K0725.6200X16	reamed hole	200	16H7	54,5	27	80	33	160	28	91	69	69	-	-
K0725.6200X20	reamed hole	200	20H7	54,5	27	80	33	160	28	91	69	69	-	-
K0725.6345X20	reamed hole	346	20H7	67,5	27	148	43,5	144	32	91	80	80	-	-
K0725.7130X12	reamed hole with slot	129	12H7	32	20	51	29	111	20	59	52	53	13,8	4
K0725.7130X14	reamed hole with slot	129	14H7	32	20	51	29	111	20	59	52	53	16,3	5
K0725.7160X14	reamed hole with slot	159	14H7	40	25	65	31	126	24	71	55	59	16,3	5
K0725.7160X16	reamed hole with slot	159	16H7	40	25	65	31	126	24	71	55	59	18,3	5
K0725.7200X16	reamed hole with slot	200	16H7	54,5	27	80	33	160	28	91	69	69	18,3	5
K0725.7200X20	reamed hole with slot	200	20H7	54,5	27	80	33	160	28	91	69	69	22,8	6
K0725.7345X20	reamed hole with slot	346	20H7	67,5	27	148	43,5	144	32	91	80	80	22,8	6