

Toggle clamps pivot jaw

Item description/product images



Description

Material:

Steel, clamping bow in cast steel

Version:

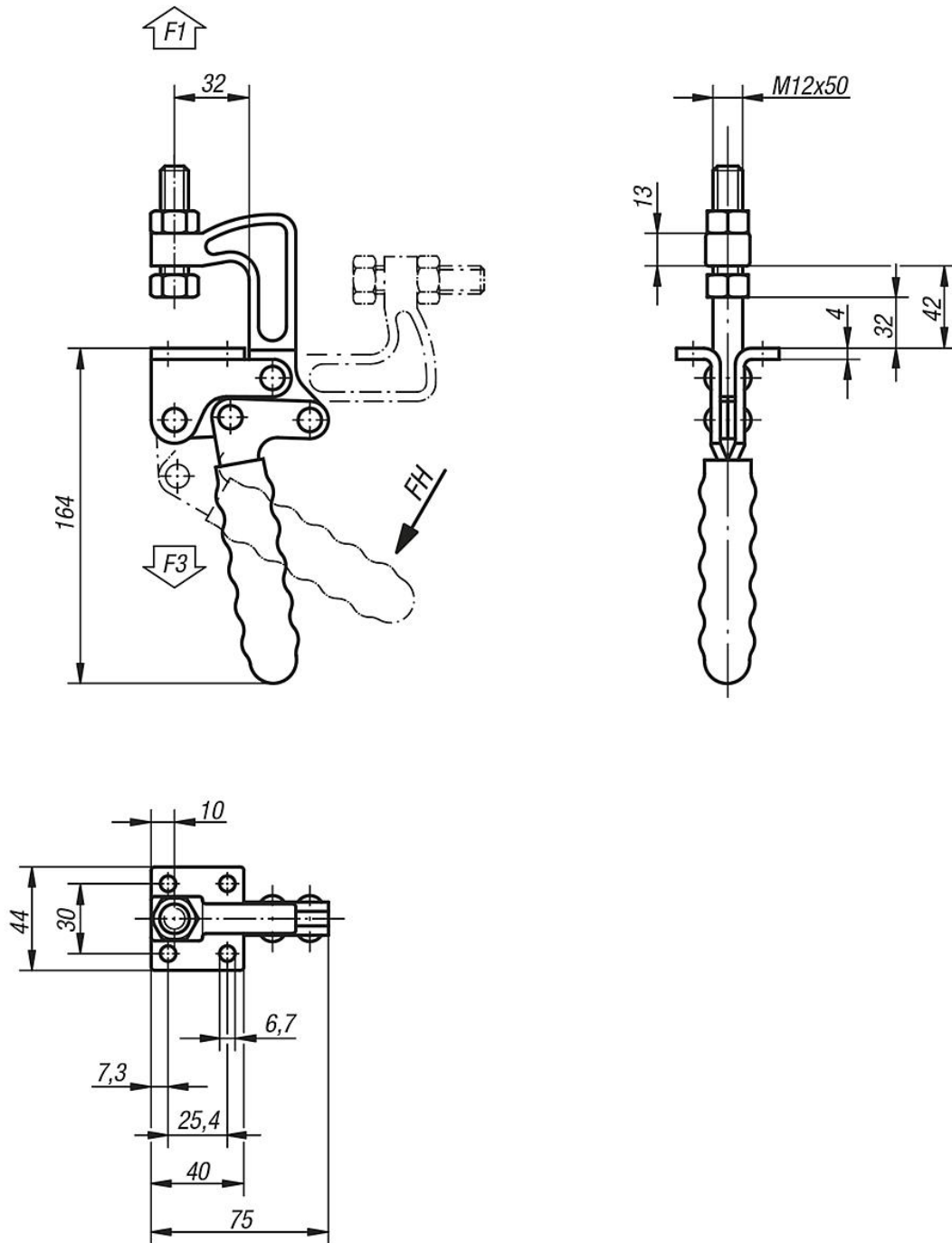
Trivalent passivated.
Plastic grip oil-resistant.

Note:

The pivot jaw toggle clamp is ideal for applications in which there is little mounting space at the sides. In this case the clamp plate is secured from below to the work surface.

Toggle clamps pivot jaw

Drawings



Overview of items

Toggle clamps pivot jaw

Order No.	Opening angle of holding arm	Opening angle of handle	Hand force FH N	Retaining force F1 N	Clamping force F3 N	Matching plastic grip
K0078.0360	90°	50°	250	3600	1150	K0100.30