

# Screws with countersunk head hexagon socket DIN EN ISO 10642

## Item description/product images



### Description

#### Material:

Steel or stainless steel (A 2)

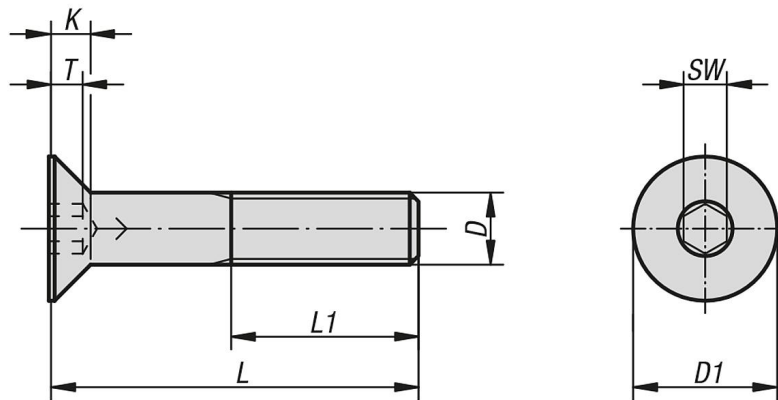
#### Version:

Steel grade 8.8, black or electro zinc-plated.

Steel grade 10.9, black.

Stainless steel A 2-70, bright.

## Drawings



## Overview of items

### Screws with countersunk head, hexagon socket DIN 7991

Order No.	Main material	Main colour	Grade	D	L	L1 min.	K	T	D1	SW
K0708.04X10	steel	-	8.8	M4	10	14	2,3	1,8	8	2,5
K0708.04X12	steel	-	8.8	M4	12	14	2,3	1,8	8	2,5
K0708.04X16	steel	-	8.8	M4	16	14	2,3	1,8	8	2,5
K0708.04X20	steel	-	8.8	M4	20	14	2,3	1,8	8	2,5
K0708.04X25	steel	-	8.8	M4	25	14	2,3	1,8	8	2,5
K0708.05X10	steel	-	8.8	M5	10	16	2,8	2,3	10	3
K0708.05X12	steel	-	8.8	M5	12	16	2,8	2,3	10	3
K0708.05X16	steel	-	8.8	M5	16	16	2,8	2,3	10	3
K0708.05X20	steel	-	8.8	M5	20	16	2,8	2,3	10	3
K0708.05X25	steel	-	8.8	M5	25	16	2,8	2,3	10	3
K0708.05X30	steel	-	8.8	M5	30	16	2,8	2,3	10	3
K0708.06X10	steel	-	8.8	M6	10	18	3,3	2,5	12	4
K0708.06X12	steel	-	8.8	M6	12	18	3,3	2,5	12	4
K0708.06X16	steel	-	8.8	M6	16	18	3,3	2,5	12	4
K0708.06X20	steel	-	8.8	M6	20	18	3,3	2,5	12	4
K0708.06X25	steel	-	8.8	M6	25	18	3,3	2,5	12	4
K0708.06X30	steel	-	8.8	M6	30	18	3,3	2,5	12	4
K0708.06X35	steel	-	8.8	M6	35	18	3,3	2,5	12	4

## Screws with countersunk head hexagon socket DIN EN ISO 10642

## Overview of items

Order No.	Main material	Main colour	Grade	D	L	L1 min.	K	T	D1	SW
K0708.06X40	steel	-	8.8	M6	40	18	3,3	2,5	12	4
K0708.06X45	steel	-	8.8	M6	45	18	3,3	2,5	12	4
K0708.06X50	steel	-	8.8	M6	50	18	3,3	2,5	12	4
K0708.06X60	steel	-	8.8	M6	60	18	3,3	2,5	12	4
K0708.08X16	steel	-	8.8	M8	16	22	4,4	3,5	16	5
K0708.08X20	steel	-	8.8	M8	20	22	4,4	3,5	16	5
K0708.08X25	steel	-	8.8	M8	25	22	4,4	3,5	16	5
K0708.08X30	steel	-	8.8	M8	30	22	4,4	3,5	16	5
K0708.08X35	steel	-	8.8	M8	35	22	4,4	3,5	16	5
K0708.08X40	steel	-	8.8	M8	40	22	4,4	3,5	16	5
K0708.08X45	steel	-	8.8	M8	45	22	4,4	3,5	16	5
K0708.08X50	steel	-	8.8	M8	50	22	4,4	3,5	16	5
K0708.08X60	steel	-	8.8	M8	60	22	4,4	3,5	16	5
K0708.10X16	steel	-	8.8	M10	16	26	5,5	4,4	20	6
K0708.10X20	steel	-	8.8	M10	20	26	5,5	4,4	20	6
K0708.10X25	steel	-	8.8	M10	25	26	5,5	4,4	20	6
K0708.10X30	steel	-	8.8	M10	30	26	5,5	4,4	20	6
K0708.10X35	steel	-	8.8	M10	35	26	5,5	4,4	20	6
K0708.10X40	steel	-	8.8	M10	40	26	5,5	4,4	20	6
K0708.10X45	steel	-	8.8	M10	45	26	5,5	4,4	20	6
K0708.10X50	steel	-	8.8	M10	50	26	5,5	4,4	20	6
K0708.10X60	steel	-	8.8	M10	60	26	5,5	4,4	20	6
K0708.10X70	steel	-	8.8	M10	70	26	5,5	4,4	20	6
K0708.12X20	steel	-	8.8	M12	20	30	6,5	4,6	24	8
K0708.12X25	steel	-	8.8	M12	25	30	6,5	4,6	24	8
K0708.12X30	steel	-	8.8	M12	30	30	6,5	4,6	24	8
K0708.12X35	steel	-	8.8	M12	35	30	6,5	4,6	24	8
K0708.12X40	steel	-	8.8	M12	40	30	6,5	4,6	24	8
K0708.12X45	steel	-	8.8	M12	45	30	6,5	4,6	24	8
K0708.12X50	steel	-	8.8	M12	50	30	6,5	4,6	24	8
K0708.12X60	steel	-	8.8	M12	60	30	6,5	4,6	24	8
K0708.12X70	steel	-	8.8	M12	70	30	6,5	4,6	24	8
K0708.12X80	steel	-	8.8	M12	80	30	6,5	4,6	24	8
K0708.16X30	steel	-	8.8	M16	30	38	7,5	5,3	30	10
K0708.16X35	steel	-	8.8	M16	35	38	7,5	5,3	30	10
K0708.16X40	steel	-	8.8	M16	40	38	7,5	5,3	30	10
K0708.16X45	steel	-	8.8	M16	45	38	7,5	5,3	30	10
K0708.16X50	steel	-	8.8	M16	50	38	7,5	5,3	30	10
K0708.16X60	steel	-	8.8	M16	60	38	7,5	5,3	30	10
K0708.16X70	steel	-	8.8	M16	70	38	7,5	5,3	30	10
K0708.16X80	steel	-	8.8	M16	80	38	7,5	5,3	30	10
K0708.404X10	steel	galvanised	8.8	M4	10	14	2,3	1,8	8	2,5
K0708.404X12	steel	galvanised	8.8	M4	12	14	2,3	1,8	8	2,5
K0708.404X16	steel	galvanised	8.8	M4	16	14	2,3	1,8	8	2,5
K0708.404X20	steel	galvanised	8.8	M4	20	14	2,3	1,8	8	2,5
K0708.404X25	steel	galvanised	8.8	M4	25	14	2,3	1,8	8	2,5
K0708.405X10	steel	galvanised	8.8	M5	10	16	2,8	2,3	10	3
K0708.405X12	steel	galvanised	8.8	M5	12	16	2,8	2,3	10	3
K0708.405X16	steel	galvanised	8.8	M5	16	16	2,8	2,3	10	3
K0708.405X20	steel	galvanised	8.8	M5	20	16	2,8	2,3	10	3
K0708.405X25	steel	galvanised	8.8	M5	25	16	2,8	2,3	10	3
K0708.405X30	steel	galvanised	8.8	M5	30	16	2,8	2,3	10	3
K0708.406X10	steel	galvanised	8.8	M6	10	18	3,3	2,5	12	4
K0708.406X12	steel	galvanised	8.8	M6	12	18	3,3	2,5	12	4
K0708.406X16	steel	galvanised	8.8	M6	16	18	3,3	2,5	12	4
K0708.406X20	steel	galvanised	8.8	M6	20	18	3,3	2,5	12	4
K0708.406X25	steel	galvanised	8.8	M6	25	18	3,3	2,5	12	4
K0708.406X30	steel	galvanised	8.8	M6	30	18	3,3	2,5	12	4
K0708.406X35	steel	galvanised	8.8	M6	35	18	3,3	2,5	12	4
K0708.406X40	steel	galvanised	8.8	M6	40	18	3,3	2,5	12	4
K0708.406X45	steel	galvanised	8.8	M6	45	18	3,3	2,5	12	4
K0708.406X50	steel	galvanised	8.8	M6	50	18	3,3	2,5	12	4

## Screws with countersunk head hexagon socket DIN EN ISO 10642

## Overview of items

Order No.	Main material	Main colour	Grade	D	L	L1 min.	K	T	D1	SW
K0708.406X60	steel	galvanised	8.8	M6	60	18	3,3	2,5	12	4
K0708.408X16	steel	galvanised	8.8	M8	16	22	4,4	3,5	16	5
K0708.408X20	steel	galvanised	8.8	M8	20	22	4,4	3,5	16	5
K0708.408X25	steel	galvanised	8.8	M8	25	22	4,4	3,5	16	5
K0708.408X30	steel	galvanised	8.8	M8	30	22	4,4	3,5	16	5
K0708.408X35	steel	galvanised	8.8	M8	35	22	4,4	3,5	16	5
K0708.408X40	steel	galvanised	8.8	M8	40	22	4,4	3,5	16	5
K0708.408X45	steel	galvanised	8.8	M8	45	22	4,4	3,5	16	5
K0708.408X50	steel	galvanised	8.8	M8	50	22	4,4	3,5	16	5
K0708.408X60	steel	galvanised	8.8	M8	60	22	4,4	3,5	16	5
K0708.410X16	steel	galvanised	8.8	M10	16	26	5,5	4,4	20	6
K0708.410X20	steel	galvanised	8.8	M10	20	26	5,5	4,4	20	6
K0708.410X25	steel	galvanised	8.8	M10	25	26	5,5	4,4	20	6
K0708.410X30	steel	galvanised	8.8	M10	30	26	5,5	4,4	20	6
K0708.410X35	steel	galvanised	8.8	M10	35	26	5,5	4,4	20	6
K0708.410X40	steel	galvanised	8.8	M10	40	26	5,5	4,4	20	6
K0708.410X45	steel	galvanised	8.8	M10	45	26	5,5	4,4	20	6
K0708.410X50	steel	galvanised	8.8	M10	50	26	5,5	4,4	20	6
K0708.410X60	steel	galvanised	8.8	M10	60	26	5,5	4,4	20	6
K0708.410X70	steel	galvanised	8.8	M10	70	26	5,5	4,4	20	6
K0708.412X20	steel	galvanised	8.8	M12	20	30	6,5	4,6	24	8
K0708.412X25	steel	galvanised	8.8	M12	25	30	6,5	4,6	24	8
K0708.412X30	steel	galvanised	8.8	M12	30	30	6,5	4,6	24	8
K0708.412X35	steel	galvanised	8.8	M12	35	30	6,5	4,6	24	8
K0708.412X40	steel	galvanised	8.8	M12	40	30	6,5	4,6	24	8
K0708.412X45	steel	galvanised	8.8	M12	45	30	6,5	4,6	24	8
K0708.412X50	steel	galvanised	8.8	M12	50	30	6,5	4,6	24	8
K0708.412X60	steel	galvanised	8.8	M12	60	30	6,5	4,6	24	8
K0708.412X70	steel	galvanised	8.8	M12	70	30	6,5	4,6	24	8
K0708.412X80	steel	galvanised	8.8	M12	80	30	6,5	4,6	24	8
K0708.416X30	steel	galvanised	8.8	M16	30	38	7,5	5,3	30	10
K0708.416X35	steel	galvanised	8.8	M16	35	38	7,5	5,3	30	10
K0708.416X40	steel	galvanised	8.8	M16	40	38	7,5	5,3	30	10
K0708.416X45	steel	galvanised	8.8	M16	45	38	7,5	5,3	30	10
K0708.416X50	steel	galvanised	8.8	M16	50	38	7,5	5,3	30	10
K0708.416X60	steel	galvanised	8.8	M16	60	38	7,5	5,3	30	10
K0708.416X70	steel	galvanised	8.8	M16	70	38	7,5	5,3	30	10
K0708.416X80	steel	galvanised	8.8	M16	80	38	7,5	5,3	30	10
K0708.304X10	steel	-	10.9	M4	10	14	2,3	1,8	8	2,5
K0708.304X12	steel	-	10.9	M4	12	14	2,3	1,8	8	2,5
K0708.304X16	steel	-	10.9	M4	16	14	2,3	1,8	8	2,5
K0708.304X20	steel	-	10.9	M4	20	14	2,3	1,8	8	2,5
K0708.304X25	steel	-	10.9	M4	25	14	2,3	1,8	8	2,5
K0708.305X10	steel	-	10.9	M5	10	16	2,8	2,3	10	3
K0708.305X12	steel	-	10.9	M5	12	16	2,8	2,3	10	3
K0708.305X16	steel	-	10.9	M5	16	16	2,8	2,3	10	3
K0708.305X20	steel	-	10.9	M5	20	16	2,8	2,3	10	3
K0708.305X25	steel	-	10.9	M5	25	16	2,8	2,3	10	3
K0708.305X30	steel	-	10.9	M5	30	16	2,8	2,3	10	3
K0708.306X10	steel	-	10.9	M6	10	18	3,3	2,5	12	4
K0708.306X12	steel	-	10.9	M6	12	18	3,3	2,5	12	4
K0708.306X16	steel	-	10.9	M6	16	18	3,3	2,5	12	4
K0708.306X20	steel	-	10.9	M6	20	18	3,3	2,5	12	4
K0708.306X25	steel	-	10.9	M6	25	18	3,3	2,5	12	4
K0708.306X30	steel	-	10.9	M6	30	18	3,3	2,5	12	4
K0708.306X35	steel	-	10.9	M6	35	18	3,3	2,5	12	4
K0708.306X40	steel	-	10.9	M6	40	18	3,3	2,5	12	4
K0708.306X45	steel	-	10.9	M6	45	18	3,3	2,5	12	4
K0708.306X50	steel	-	10.9	M6	50	18	3,3	2,5	12	4
K0708.306X60	steel	-	10.9	M6	60	18	3,3	2,5	12	4
K0708.308X16	steel	-	10.9	M8	16	22	4,4	3,5	16	5
K0708.308X20	steel	-	10.9	M8	20	22	4,4	3,5	16	5

## Screws with countersunk head hexagon socket DIN EN ISO 10642

## Overview of items

Order No.	Main material	Main colour	Grade	D	L	L1 min.	K	T	D1	SW
K0708.308X25	steel	-	10.9	M8	25	22	4,4	3,5	16	5
K0708.308X30	steel	-	10.9	M8	30	22	4,4	3,5	16	5
K0708.308X35	steel	-	10.9	M8	35	22	4,4	3,5	16	5
K0708.308X40	steel	-	10.9	M8	40	22	4,4	3,5	16	5
K0708.308X45	steel	-	10.9	M8	45	22	4,4	3,5	16	5
K0708.308X50	steel	-	10.9	M8	50	22	4,4	3,5	16	5
K0708.308X60	steel	-	10.9	M8	60	22	4,4	3,5	16	5
K0708.310X16	steel	-	10.9	M10	16	26	5,5	4,4	20	6
K0708.310X20	steel	-	10.9	M10	20	26	5,5	4,4	20	6
K0708.310X25	steel	-	10.9	M10	25	26	5,5	4,4	20	6
K0708.310X30	steel	-	10.9	M10	30	26	5,5	4,4	20	6
K0708.310X35	steel	-	10.9	M10	35	26	5,5	4,4	20	6
K0708.310X40	steel	-	10.9	M10	40	26	5,5	4,4	20	6
K0708.310X45	steel	-	10.9	M10	45	26	5,5	4,4	20	6
K0708.310X50	steel	-	10.9	M10	50	26	5,5	4,4	20	6
K0708.310X60	steel	-	10.9	M10	60	26	5,5	4,4	20	6
K0708.310X70	steel	-	10.9	M10	70	26	5,5	4,4	20	6
K0708.312X20	steel	-	10.9	M12	20	30	6,5	4,6	24	8
K0708.312X25	steel	-	10.9	M12	25	30	6,5	4,6	24	8
K0708.312X30	steel	-	10.9	M12	30	30	6,5	4,6	24	8
K0708.312X35	steel	-	10.9	M12	35	30	6,5	4,6	24	8
K0708.312X40	steel	-	10.9	M12	40	30	6,5	4,6	24	8
K0708.312X45	steel	-	10.9	M12	45	30	6,5	4,6	24	8
K0708.312X50	steel	-	10.9	M12	50	30	6,5	4,6	24	8
K0708.312X60	steel	-	10.9	M12	60	30	6,5	4,6	24	8
K0708.312X70	steel	-	10.9	M12	70	30	6,5	4,6	24	8
K0708.312X80	steel	-	10.9	M12	80	30	6,5	4,6	24	8
K0708.316X30	steel	-	10.9	M16	30	38	7,5	5,3	30	10
K0708.316X35	steel	-	10.9	M16	35	38	7,5	5,3	30	10
K0708.316X40	steel	-	10.9	M16	40	38	7,5	5,3	30	10
K0708.316X45	steel	-	10.9	M16	45	38	7,5	5,3	30	10
K0708.316X50	steel	-	10.9	M16	50	38	7,5	5,3	30	10
K0708.316X60	steel	-	10.9	M16	60	38	7,5	5,3	30	10
K0708.316X70	steel	-	10.9	M16	70	38	7,5	5,3	30	10
K0708.316X80	steel	-	10.9	M16	80	38	7,5	5,3	30	10
K0708.104X10	stainless steel	-	-	M4	10	14	2,3	1,8	8	2,5
K0708.104X12	stainless steel	-	-	M4	12	14	2,3	1,8	8	2,5
K0708.104X16	stainless steel	-	-	M4	16	14	2,3	1,8	8	2,5
K0708.104X20	stainless steel	-	-	M4	20	14	2,3	1,8	8	2,5
K0708.104X25	stainless steel	-	-	M4	25	14	2,3	1,8	8	2,5
K0708.105X10	stainless steel	-	-	M5	10	16	2,8	2,3	10	3
K0708.105X12	stainless steel	-	-	M5	12	16	2,8	2,3	10	3
K0708.105X16	stainless steel	-	-	M5	16	16	2,8	2,3	10	3
K0708.105X20	stainless steel	-	-	M5	20	16	2,8	2,3	10	3
K0708.105X25	stainless steel	-	-	M5	25	16	2,8	2,3	10	3
K0708.105X30	stainless steel	-	-	M5	30	16	2,8	2,3	10	3
K0708.106X10	stainless steel	-	-	M6	10	18	3,3	2,5	12	4
K0708.106X12	stainless steel	-	-	M6	12	18	3,3	2,5	12	4
K0708.106X16	stainless steel	-	-	M6	16	18	3,3	2,5	12	4
K0708.106X20	stainless steel	-	-	M6	20	18	3,3	2,5	12	4
K0708.106X25	stainless steel	-	-	M6	25	18	3,3	2,5	12	4
K0708.106X30	stainless steel	-	-	M6	30	18	3,3	2,5	12	4
K0708.106X35	stainless steel	-	-	M6	35	18	3,3	2,5	12	4
K0708.106X40	stainless steel	-	-	M6	40	18	3,3	2,5	12	4
K0708.106X45	stainless steel	-	-	M6	45	18	3,3	2,5	12	4
K0708.106X50	stainless steel	-	-	M6	50	18	3,3	2,5	12	4
K0708.106X60	stainless steel	-	-	M6	60	18	3,3	2,5	12	4
K0708.108X16	stainless steel	-	-	M8	16	22	4,4	3,5	16	5
K0708.108X20	stainless steel	-	-	M8	20	22	4,4	3,5	16	5
K0708.108X25	stainless steel	-	-	M8	25	22	4,4	3,5	16	5
K0708.108X30	stainless steel	-	-	M8	30	22	4,4	3,5	16	5
K0708.108X35	stainless steel	-	-	M8	35	22	4,4	3,5	16	5

## Screws with countersunk head hexagon socket DIN EN ISO 10642

## Overview of items

Order No.	Main material	Main colour	Grade	D	L	L1 min.	K	T	D1	SW
K0708.108X40	stainless steel	-	-	M8	40	22	4,4	3,5	16	5
K0708.108X45	stainless steel	-	-	M8	45	22	4,4	3,5	16	5
K0708.108X50	stainless steel	-	-	M8	50	22	4,4	3,5	16	5
K0708.108X60	stainless steel	-	-	M8	60	22	4,4	3,5	16	5
K0708.110X16	stainless steel	-	-	M10	16	26	5,5	4,4	20	6
K0708.110X20	stainless steel	-	-	M10	20	26	5,5	4,4	20	6
K0708.110X25	stainless steel	-	-	M10	25	26	5,5	4,4	20	6
K0708.110X30	stainless steel	-	-	M10	30	26	5,5	4,4	20	6
K0708.110X35	stainless steel	-	-	M10	35	26	5,5	4,4	20	6
K0708.110X40	stainless steel	-	-	M10	40	26	5,5	4,4	20	6
K0708.110X45	stainless steel	-	-	M10	45	26	5,5	4,4	20	6
K0708.110X50	stainless steel	-	-	M10	50	26	5,5	4,4	20	6
K0708.110X60	stainless steel	-	-	M10	60	26	5,5	4,4	20	6
K0708.110X70	stainless steel	-	-	M10	70	26	5,5	4,4	20	6
K0708.112X20	stainless steel	-	-	M12	20	30	6,5	4,6	24	8
K0708.112X25	stainless steel	-	-	M12	25	30	6,5	4,6	24	8
K0708.112X30	stainless steel	-	-	M12	30	30	6,5	4,6	24	8
K0708.112X35	stainless steel	-	-	M12	35	30	6,5	4,6	24	8
K0708.112X40	stainless steel	-	-	M12	40	30	6,5	4,6	24	8
K0708.112X45	stainless steel	-	-	M12	45	30	6,5	4,6	24	8
K0708.112X50	stainless steel	-	-	M12	50	30	6,5	4,6	24	8
K0708.112X60	stainless steel	-	-	M12	60	30	6,5	4,6	24	8
K0708.112X70	stainless steel	-	-	M12	70	30	6,5	4,6	24	8
K0708.112X80	stainless steel	-	-	M12	80	30	6,5	4,6	24	8
K0708.116X30	stainless steel	-	-	M16	30	38	7,5	5,3	30	10
K0708.116X35	stainless steel	-	-	M16	35	38	7,5	5,3	30	10
K0708.116X40	stainless steel	-	-	M16	40	38	7,5	5,3	30	10
K0708.116X45	stainless steel	-	-	M16	45	38	7,5	5,3	30	10
K0708.116X50	stainless steel	-	-	M16	50	38	7,5	5,3	30	10
K0708.116X60	stainless steel	-	-	M16	60	38	7,5	5,3	30	10
K0708.116X70	stainless steel	-	-	M16	70	38	7,5	5,3	30	10
K0708.116X80	stainless steel	-	-	M16	80	38	7,5	5,3	30	10