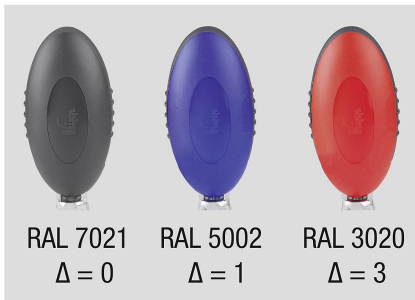


## Toggle clamps horizontal with straight foot and adjustable clamping spindle, stainless steel

Item description/product images

KIPPLock



RAL 7021  
 $\Delta = 0$

RAL 5002  
 $\Delta = 1$

RAL 3020  
 $\Delta = 3$

### Description

#### Material:

Stainless steel.  
Grip polyamide.

#### Version:

Bright.  
Handle element blue, black or red.

#### Note:

Maintenance-free high quality link bushings. Sustainable constant use of force during opening and closing. Optimum stability through the conical, U-profile clamping arm.

#### On request:

Other grip colours.

#### Accessory:

K0106

K0384

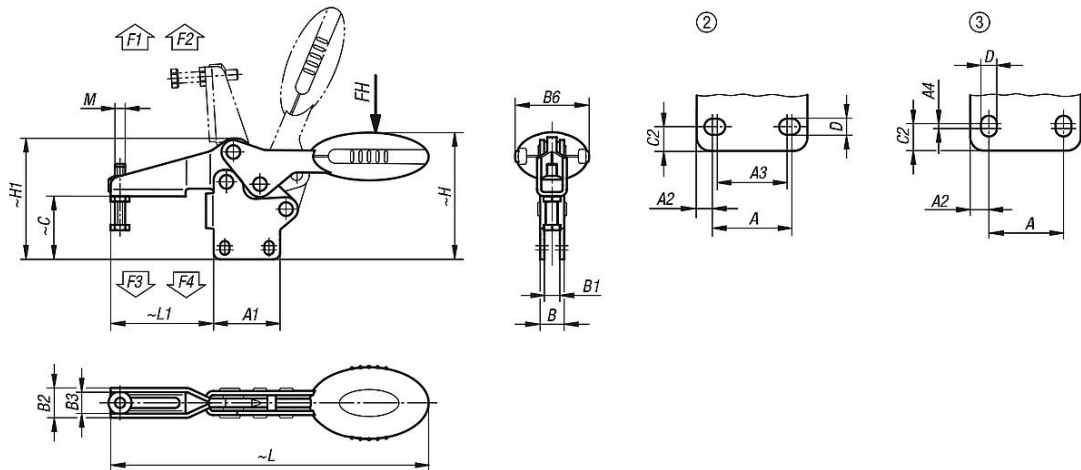
K0390

K0392

K0667

# Toggle clamps horizontal with straight foot and adjustable clamping spindle, stainless steel

Drawings



## Overview of items

### Toggle clamps horizontal with straight foot and adjustable clamping spindle, stainless steel

| Order No.    | Component colour     | hole arrangement | Opening angle of holding arm | Opening angle of handle | Hand force FH N | Retaining force F1 N | Retaining force F2 N | Clamping force F3 N | Clamping force F4 N |      |      |      |      |     |      |      |       |      |
|--------------|----------------------|------------------|------------------------------|-------------------------|-----------------|----------------------|----------------------|---------------------|---------------------|------|------|------|------|-----|------|------|-------|------|
| K0661.105001 | ultramarine RAL 5002 | 2                | 86°                          | 67°                     | 100             | 650                  | 900                  | 550                 | 620                 |      |      |      |      |     |      |      |       |      |
| K0661.106001 | ultramarine RAL 5002 | 3                | 86°                          | 67°                     | 160             | 1350                 | 1900                 | 720                 | 1200                |      |      |      |      |     |      |      |       |      |
| K0661.108001 | ultramarine RAL 5002 | 3                | 86°                          | 67°                     | 200             | 2000                 | 2800                 | 830                 | 1400                |      |      |      |      |     |      |      |       |      |
| K0661.105000 | black grey RAL 7021  | 2                | 86°                          | 67°                     | 100             | 650                  | 900                  | 550                 | 620                 |      |      |      |      |     |      |      |       |      |
| K0661.106000 | black grey RAL 7021  | 3                | 86°                          | 67°                     | 160             | 1350                 | 1900                 | 720                 | 1200                |      |      |      |      |     |      |      |       |      |
| K0661.108000 | black grey RAL 7021  | 3                | 86°                          | 67°                     | 200             | 2000                 | 2800                 | 830                 | 1400                |      |      |      |      |     |      |      |       |      |
| K0661.105003 | red                  | 2                | 86°                          | 67°                     | 100             | 650                  | 900                  | 550                 | 620                 |      |      |      |      |     |      |      |       |      |
| K0661.106003 | red                  | 3                | 86°                          | 67°                     | 160             | 1350                 | 1900                 | 720                 | 1200                |      |      |      |      |     |      |      |       |      |
| K0661.108003 | red                  | 3                | 86°                          | 67°                     | 200             | 2000                 | 2800                 | 830                 | 1400                |      |      |      |      |     |      |      |       |      |
| Order No.    | M                    | A                | A1                           | A2                      | A3              | A4                   | B                    | B1                  | B2                  | B3   | B6   | C    | C2   | D   | H    | H1   | L     | L1   |
| K0661.10500Δ | M5x25                | 18               | 27                           | 4,5                     | 13,5            | -                    | 8,1                  | 4,1                 | 13,2                | 9,2  | 22,5 | 26,2 | 5,2  | 5,5 | 52,2 | 47,9 | 125,7 | 41,8 |
| K0661.10600Δ | M6x35                | 26               | 39                           | 6,5                     | -               | 2,5                  | 14,1                 | 9,1                 | 17,5                | 12,5 | 43,5 | 36,9 | 8    | 5,5 | 75,2 | 71   | 186,6 | 60,5 |
| K0661.10800Δ | M8x45                | 26               | 44                           | 9                       | -               | 3,5                  | 14,1                 | 9,1                 | 21                  | 16   | 41,5 | 46,5 | 10,5 | 6,2 | 88,2 | 84,3 | 223,1 | 74,9 |