

Toggle clamps vertical with straight foot and adjustable clamping spindle, stainless steel

Item description/product images

KIPPlöck



Description

Material:

Stainless steel.
Grip polyamide.

Version:

Bright.

Note:

Maintenance-free high quality link bushings. Sustainable constant use of force during opening and closing. Optimum stability through the conical, U-profile clamping arm.

Accessory:

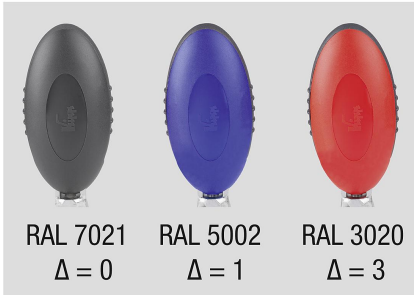
K0106
K0384
K0390
K0392
K0667

Drawing reference:

1) stop pin position 1
2) stop pin position 2

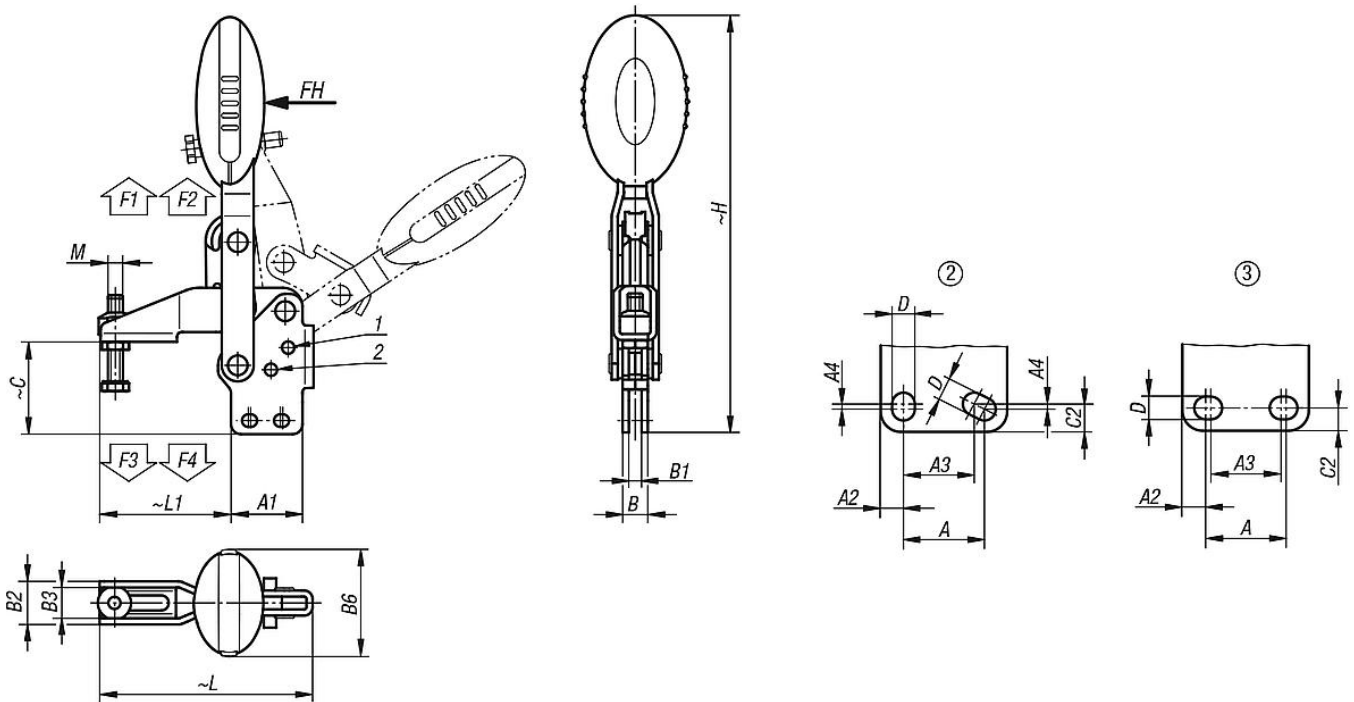
Toggle clamps vertical with straight foot and adjustable clamping spindle, stainless steel

Item description/product images



Toggle clamps vertical with straight foot and adjustable clamping spindle, stainless steel

Drawings



Overview of items

Toggle clamps vertical with straight foot and adjustable clamping spindle, stainless steel

Order No.	Component colour	Opening angle holding arm position 1	Opening angle holding arm position 2	Opening angle holding arm stop pin removed	Opening angle handle position 1	Opening angle handle position 2	Hand force FH N	Retaining force F1 N	Retaining force F2 N	Clamping force F3 N	Clamping force F4 N								
K0663.105001	ultramarine RAL 5002	100°	-	129°	64°	-	100	750	1050	620	750								
K0663.106001	ultramarine RAL 5002	56°	83°	141°	46°	56°	160	1350	1650	920	1050								
K0663.108001	ultramarine RAL 5002	13°	93°	158°	26°	61°	190	2000	2800	940	1350								
K0663.105000	black grey RAL 7021	100°	-	129°	64°	-	100	750	1050	620	750								
K0663.106000	black grey RAL 7021	56°	83°	141°	46°	56°	160	1350	1650	920	1050								
K0663.108000	black grey RAL 7021	13°	93°	158°	26°	61°	190	2000	2800	940	1350								
K0663.105003	red	100°	-	129°	64°	-	100	750	1050	620	750								
K0663.106003	red	56°	83°	141°	46°	56°	160	1350	1650	920	1050								
K0663.108003	red	13°	93°	158°	26°	61°	190	2000	2800	940	1350								
Order No.	Component colour	hole arrangement	M	A	A1	A2	A3	A4	B	B1	B2	B3	B6	C	C2	D	H	L	L1
K0663.105001	ultramarine RAL 5002	2	M5x25	16	25	4,5	14	1	8,1	4,1	13,2	9,2	22,5	29,8	5,5	4,5	119,2	65,6	35
K0663.106001	ultramarine RAL 5002	3	M6x35	14	29	7	12	-	10,2	5,2	17,5	12,5	43,5	37,6	5,5	5,5	169	86,5	53
K0663.108001	ultramarine RAL 5002	3	M8x45	21	39	9	19	-	10,2	5,2	20,6	15,6	41,5	49	6,5	6,8	200,4	107	62
K0663.105000	black grey RAL 7021	2	M5x25	16	25	4,5	14	1	8,1	4,1	13,2	9,2	22,5	29,8	5,5	4,5	119,2	65,6	35
K0663.106000	black grey RAL 7021	3	M6x35	14	29	7	12	-	10,2	5,2	17,5	12,5	43,5	37,6	5,5	5,5	169	86,5	53
K0663.108000	black grey RAL 7021	3	M8x45	21	39	9	19	-	10,2	5,2	20,6	15,6	41,5	49	6,5	6,8	200,4	107	62
K0663.105003	red	2	M5x25	16	25	4,5	14	1	8,1	4,1	13,2	9,2	22,5	29,8	5,5	4,5	119,2	65,6	35
K0663.106003	red	3	M6x35	14	29	7	12	-	10,2	5,2	17,5	12,5	43,5	37,6	5,5	5,5	169	86,5	53
K0663.108003	red	3	M8x45	21	39	9	19	-	10,2	5,2	20,6	15,6	41,5	49	6,5	6,8	200,4	107	62