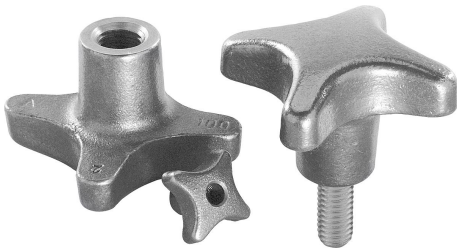


# Palm grips grey cast iron, DIN 6335

## Item description/product images



### Description

#### Material:

Grey cast iron GJL 200.

Grub screw stainless steel 1.4305.

Pin stainless steel 1.4310.

#### Version:

Vibratory ground, bright.

Grub screw and pin bright.

#### Drawing reference:

Form A: blank

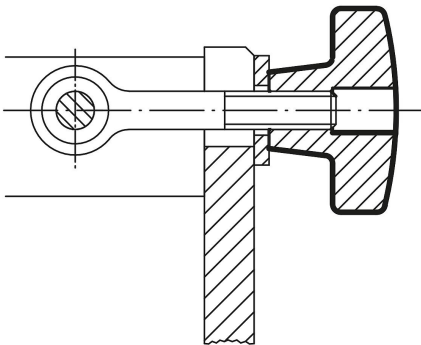
Form B: drilled through

Form C: blind hole

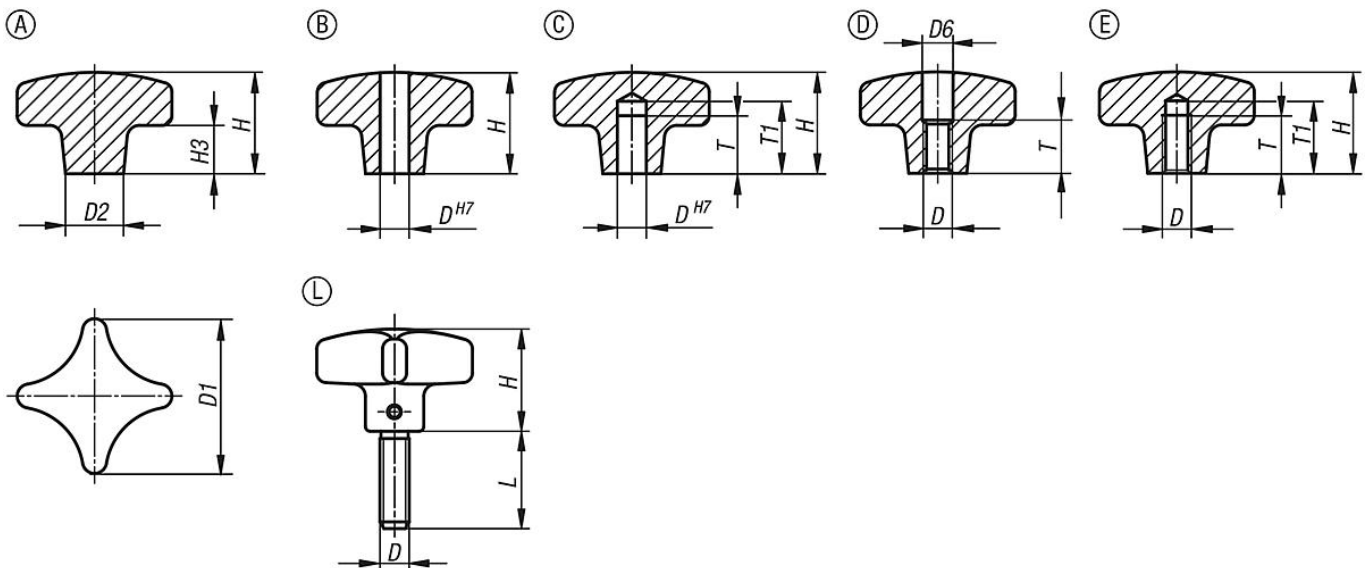
Form D: tapped and counterbored

Form E: tapped blind hole

Form L: external thread



## Drawings



## Overview of items

### Palm grips grey cast iron DIN 6335

Order No.	Form	Version	D	D1	D2	D6	H	H3	L	T	T1
K0147.106	A	tumbled	-	32	12	-	21	10	-	-	-
K0147.108	A	tumbled	-	40	14	-	26	14	-	-	-
K0147.110	A	tumbled	-	50	18	-	34	20	-	-	-
K0147.112	A	tumbled	-	63	20	-	42	25	-	-	-
K0147.116	A	tumbled	-	80	25	-	52	30	-	-	-
K0147.120	A	tumbled	-	100	32	-	65	38	-	-	-
K0147.206	B	tumbled	6	32	12	-	20	10	-	-	-
K0147.208	B	tumbled	8	40	14	-	25	14	-	-	-

## Palm grips grey cast iron, DIN 6335

### Overview of items

Order No.	Form	Version	D	D1	D2	D6	H	H3	L	T	T1
K0147.210	B	tumbled	10	50	18	-	32	20	-	-	-
K0147.212	B	tumbled	12	63	20	-	40	25	-	-	-
K0147.216	B	tumbled	16	80	25	-	50	30	-	-	-
K0147.220	B	tumbled	20	100	32	-	63	38	-	-	-
K0147.306	C	tumbled	6	32	12	-	20	10	-	12	15
K0147.308	C	tumbled	8	40	14	-	25	14	-	15	18
K0147.310	C	tumbled	10	50	18	-	32	20	-	18	21
K0147.312	C	tumbled	12	63	20	-	40	25	-	22	25
K0147.316	C	tumbled	16	80	25	-	50	30	-	28	32
K0147.320	C	tumbled	20	100	32	-	63	38	-	36	40
K0147.406	D	tumbled	M6	32	12	6,4	20	10	-	10	-
K0147.408	D	tumbled	M8	40	14	8,4	25	14	-	13	-
K0147.410	D	tumbled	M10	50	18	10,5	32	20	-	16	-
K0147.412	D	tumbled	M12	63	20	13	40	25	-	20	-
K0147.416	D	tumbled	M16	80	25	17	50	30	-	20	-
K0147.420	D	tumbled	M20	100	32	21	63	38	-	25	-
K0147.506	E	tumbled	M6	32	12	-	20	10	-	12	15
K0147.508	E	tumbled	M8	40	14	-	25	14	-	15	18
K0147.510	E	tumbled	M10	50	18	-	32	20	-	18	21
K0147.512	E	tumbled	M12	63	20	-	40	25	-	22	25
K0147.516	E	tumbled	M16	80	25	-	50	30	-	28	32
K0147.520	E	tumbled	M20	100	32	-	63	38	-	36	40
K0147.606X15	L	tumbled	M6	32	12	-	20	-	15	-	-
K0147.606X20	L	tumbled	M6	32	12	-	20	-	20	-	-
K0147.606X25	L	tumbled	M6	32	12	-	20	-	25	-	-
K0147.606X30	L	tumbled	M6	32	12	-	20	-	30	-	-
K0147.606X40	L	tumbled	M6	32	12	-	20	-	40	-	-
K0147.606X50	L	tumbled	M6	32	12	-	20	-	50	-	-
K0147.608X20	L	tumbled	M8	40	14	-	25	-	20	-	-
K0147.608X25	L	tumbled	M8	40	14	-	25	-	25	-	-
K0147.608X30	L	tumbled	M8	40	14	-	25	-	30	-	-
K0147.608X40	L	tumbled	M8	40	14	-	25	-	40	-	-
K0147.608X50	L	tumbled	M8	40	14	-	25	-	50	-	-
K0147.610X20	L	tumbled	M10	50	18	-	32	-	20	-	-
K0147.610X25	L	tumbled	M10	50	18	-	32	-	25	-	-
K0147.610X30	L	tumbled	M10	50	18	-	32	-	30	-	-
K0147.610X40	L	tumbled	M10	50	18	-	32	-	40	-	-
K0147.610X50	L	tumbled	M10	50	18	-	32	-	50	-	-
K0147.612X20	L	tumbled	M12	63	20	-	40	-	20	-	-
K0147.612X30	L	tumbled	M12	63	20	-	40	-	30	-	-
K0147.612X40	L	tumbled	M12	63	20	-	40	-	40	-	-
K0147.612X50	L	tumbled	M12	63	20	-	40	-	50	-	-