

Stop latches

Item description/product images



Description

Material:

Housing die-cast zinc, powder-coated.

Pin steel 1.0718.

Washer plastic.

Circlip spring steel.

Countersunk screw steel grade 8.8.

Version:

Housing black or red.

Pin trivalent blue passivated.

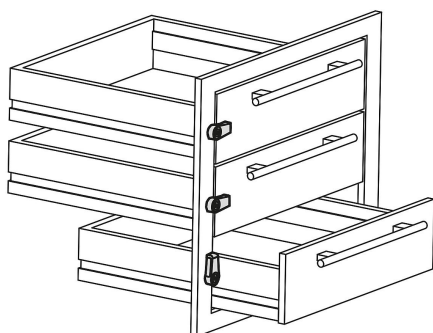
Circlip and countersunk screw, black.

Note:

Engages every 90°.

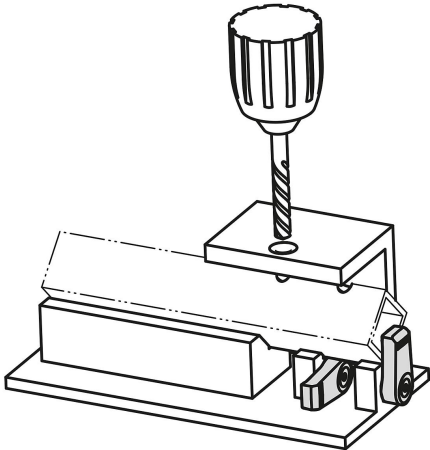


**DESIGN
AWARD
2015**

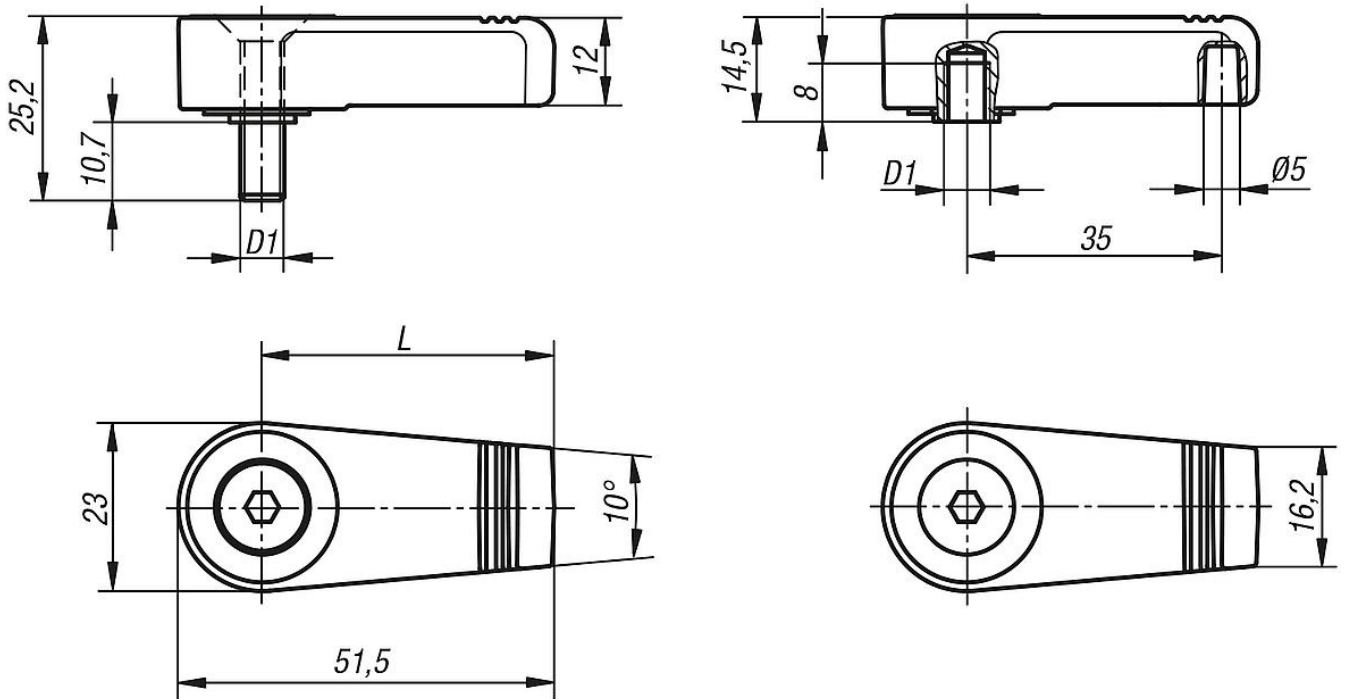


Stop latches

Item description/product images



Drawings



Overview of items

Stop latch

Order No.	Main colour	Version	L	D1
K0271.140061	black	internal thread	40	M6
K0271.140062	red	internal thread	40	M6
K0271.140061X10	black	external thread	40	M6
K0271.140062X10	red	external thread	40	M6