

Vent screws

Item description/product images



Description

Material:

Housing, cap in thermoplastic polyamide 66.
Air filter (Form B only) in polyurethane (PU foam).
O-ring in rubber (NBR).

Version:

Black housing. Red cap. Filter mesh 60 μm .

Note:

The removable cap allows easy cleaning of the air filter.

Form A: without air filter

Form B: with air filter

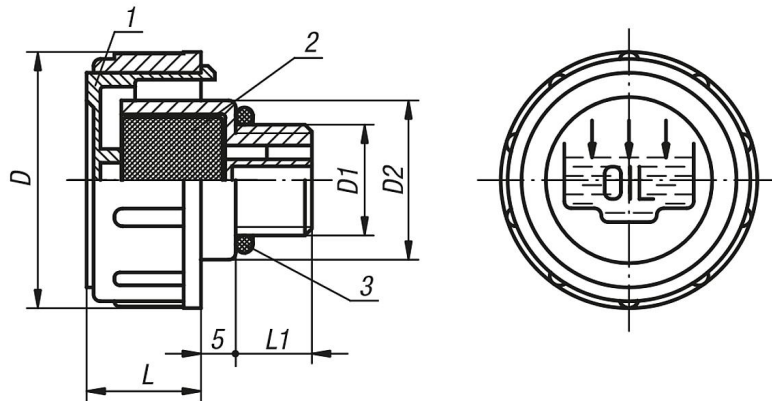
Temperature range:

Temperature resistant with oil up to 100°C.

Drawing reference:

- 1) cap
- 2) air filter Form B only
- 3) O-ring

Drawings



Overview of items