

Indexing plungers with thread lock

Item description/product images



Description

Material:

Steel version:
Indexing pin not hardened:
Threaded sleeve 1.0718.
Indexing pin 1.4305.

Stainless steel version:
Indexing pin not hardened:
Threaded sleeve and indexing pin 1.4305.

Mushroom knob black grey thermoplastic.

Thread lock blue polyamide.

Version:

Steel version:
Indexing pin hardened.
Threaded sleeve trivalent blue passivated.
Indexing pin bright.

Stainless steel version:
Indexing pin not hardened.
Steel parts bright.

Note:

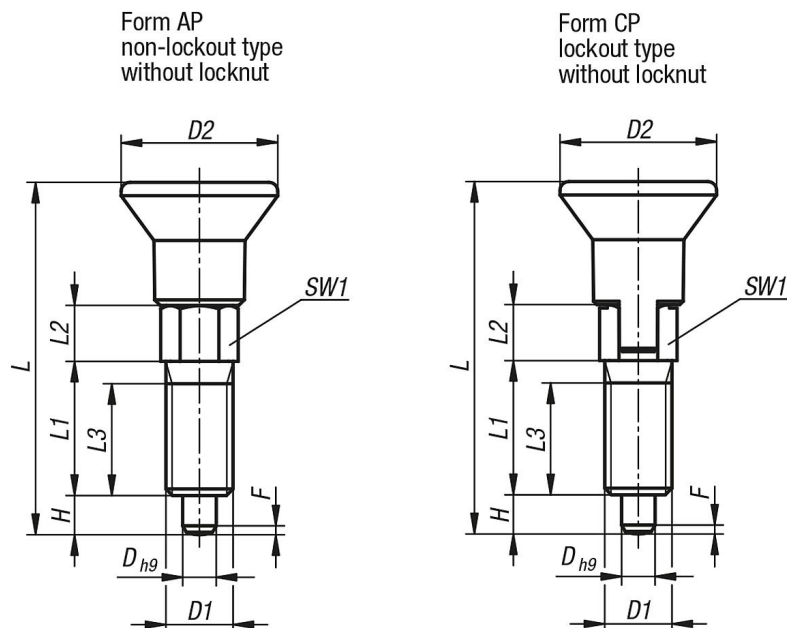
This article is a cost-effective alternative to the existing indexing plungers. It is suitable for applications which require less precision. The screw lock allows the thread to be screwed in to the exact depth required, no spacer ring is required. The screw lock is a spotted-on polyamide coating that grips the screw flank. Screw-in and screw-out torques are reference values only.

On request:

Special versions and fine thread

Indexing plungers with thread lock

Drawings



Overview of items

Steel, indexing pin not hardened

Order No. Form AP	Order No. Form CP	D	D1	D2	L	L1	L2	L3	H	SW1	Fx30°	Spring force initial pressure F1 approx. N	Spring force final pressure F2 approx. N
K1098.091903060	K1098.093903060	3	M6	14	31,5	12	5	10	3,5	6	0,8	4	10
K1098.091004060	K1098.093004060	4	M6	14	36	15	6	13	4	6	1	6	12
K1098.091105080	K1098.093105080	5	M8	14	40	17	7	15	5	8	1,3	6	12
K1098.091206100	K1098.093206100	6	M10	18	47,5	20	8	17	6	10	1,8	8	15
K1098.091308120	K1098.093308120	8	M12	25	61,7	26	10	23	8	12	2,3	8	19

Stainless steel, indexing pin not hardened

Order No. Form AP	Order No. Form CP	D	D1	D2	L	L1	L2	L3	H	SW1	Fx30°	Spring force initial pressure F1 approx. N	Spring force final pressure F2 approx. N
K1098.191903060	K1098.193903060	3	M6	14	31,5	12	5	10	3,5	6	0,8	4	10
K1098.191004060	K1098.193004060	4	M6	14	36	15	6	13	4	6	1	6	12
K1098.191105080	K1098.193105080	5	M8	14	40	17	7	15	5	8	1,3	6	12
K1098.191206100	K1098.193206100	6	M10	18	47,5	20	8	17	6	10	1,8	8	15
K1098.191308120	K1098.193308120	8	M12	25	61,7	26	10	23	8	12	2,3	8	19