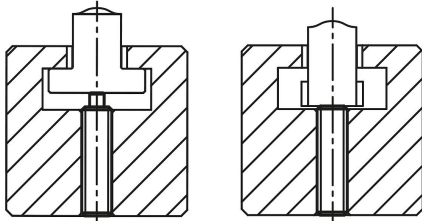


# Spring plungers with hexagon socket and flattened thrust pin, stainless steel, LONG-LOK secured

Item description/product images



## Description

### Material:

Sleeve 1.4305.

Thrust pin 1.4034.

Spring 1.4310.

LONG-LOK thread lock Nylon.

### Version:

Bright.

Thrust pin hardened.

### Note:

These spring plungers are chiefly used as ejectors and spring stops in machine construction.

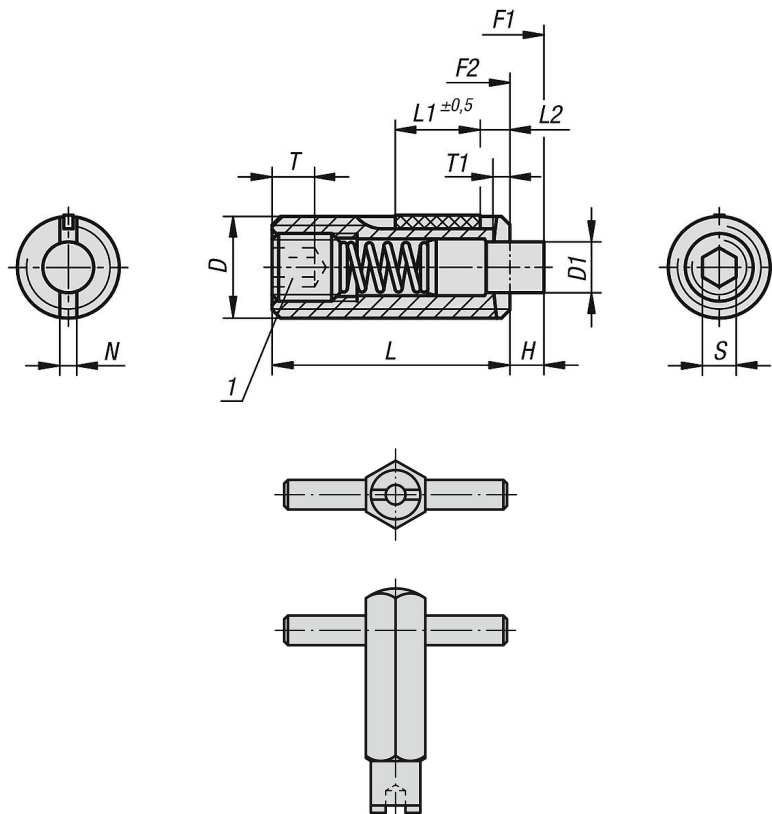
The thrust pin is actuated in the axial direction.

### Drawing reference:

L2 = ca. two full threads

1) grub screw glued-in

## Drawings



## Spring plungers with hexagon socket and flattened thrust pin, stainless steel, LONG-LOK secured

Overview of items

### Spring plungers with hexagon socket and thrust pin, standard spring force, LONG-LOK secured

Order No.	D	D1	H	L	L1	T	T1	N	S	Spring force initial pressure F1 approx. N	Spring force final pressure F2 approx. N	Tightening torque approx. Nm	Loosening torque approx. Nm	Order No. assembly key
<b>K1380.05</b>	M5	2,4	2,3	18	7	2	0,8	0,8	1,5	5	17	0,12	0,08	K0317.905
<b>K1380.06</b>	M6	2,7	2,5	20	7	2,5	1	1	2	6	17	0,45	0,22	K0317.906
<b>K1380.08</b>	M8	3,5	3	22	8	3	1,4	1,2	2,5	7	29	1,05	0,37	K0317.908
<b>K1380.10</b>	M10	4	3	22	9	3,5	1,4	1,6	3	8	31	1,3	0,6	K0317.910
<b>K1380.12</b>	M12	6	4	28	10	5	2	2	4	10	47	2	1,3	K0317.912
<b>K1380.16</b>	M16	7,5	5	32	14	6	2,5	2,5	5	38	85	3,9	3	K0317.916