

Clamp straps assorted, long slot

Item description/product images

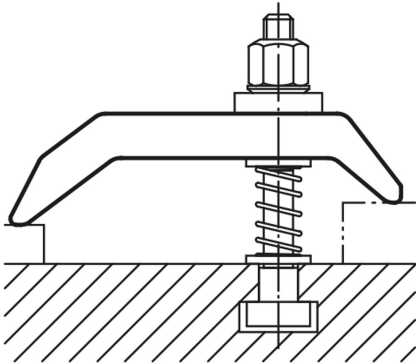


Description

Material:
Carbon steel 1.7225

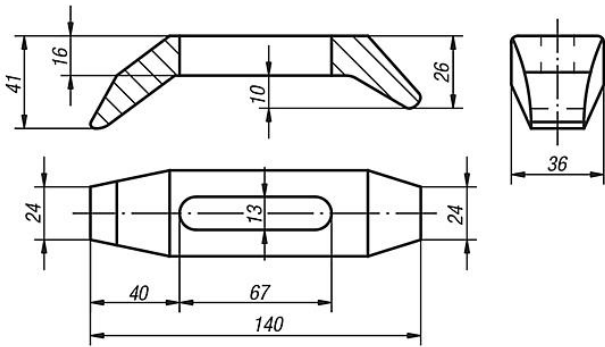
Version:
Tempered to 1000 N/mm², black oxidised.

Note:
These are the same clamp straps that are used with the adjustment units K0004.

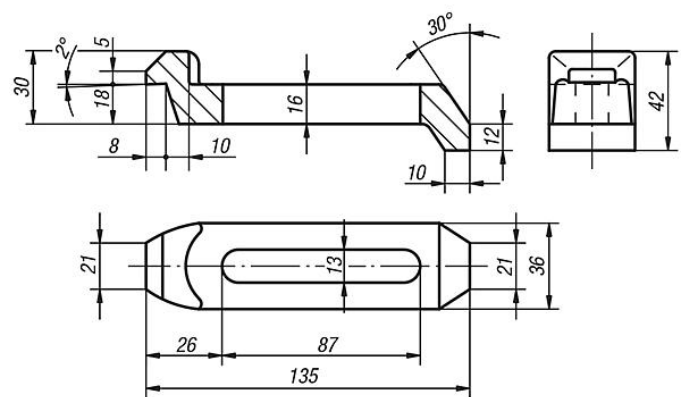


Drawings

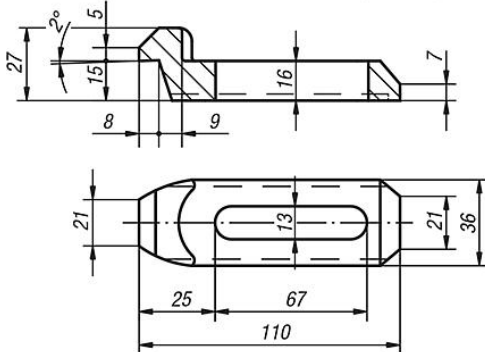
K0002.01 (0,5 kg)



K0002.05 (0,48 kg)



K0002.10 (0,35 kg)



Overview of items

Clamp straps assorted, long slot

Overview of items

Clamp straps, assorted, long slot

Order No.	Item
K0002.01	Inverted strap
K0002.05	Invert/Gooseneck strap
K0002.10	Gooseneck strap