

Knurled nuts quick-acting

Item description/product images



Description

Material:

Carbon steel.

Version:

Tempered and black oxidised.

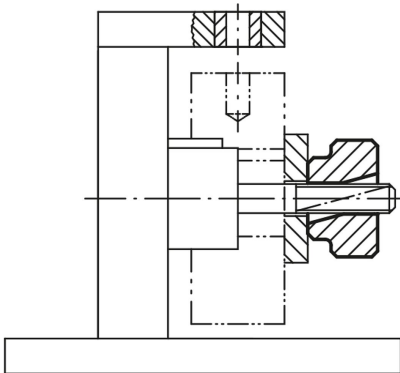
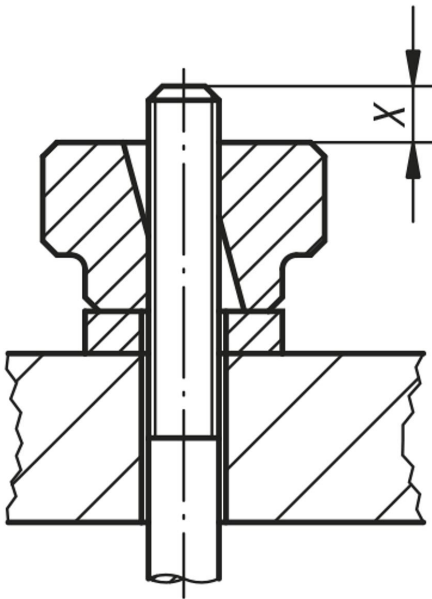
Note:

Quick-acting knurled nuts are mainly used in applications where no high clamping pressures are required.

Tilt the nut to slide on, then straighten it to engage the threads.

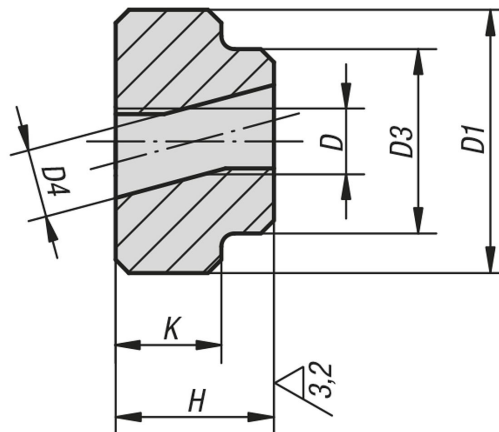
Drawing reference:

X: The stud should be several mm longer than height "H"



Knurled nuts quick-acting

Drawings



Overview of items

Knurled nuts quick-acting

Order No.	D	D1	D3	D4	H	K
K0139.05	M5	20	14	5,2	12	8
K0139.06	M6	24	16	6,2	14	10
K0139.08	M8	30	20	8,2	17	12
K0139.10	M10	36	28	10,3	20	14
K0139.12	M12	40	32	12,3	24	16