

Mushroom knobs internal thread

Item description/product images



Description

Material:

Steel, stainless steel or aluminium.

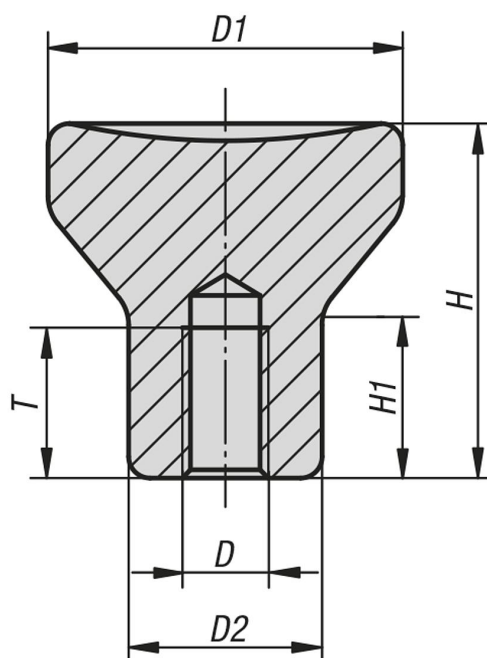
Version:

Steel trivalent blue passivated.
Stainless steel electropolished or blasted.
Aluminium natural tone anodised.

On request:

With external threads.

Drawings



Overview of items

Mushroom knobs with internal thread

Order No.	Main material	Finish	D	D1	D2	H	H1	T
K0250.0902	steel	blue-passivated	M2	14	8	14	6,7	4
K0250.0003	steel	blue-passivated	M3	18	10	18	8,6	7,5
K0250.0104	steel	blue-passivated	M4	21	12	21	10	10
K0250.0105	steel	blue-passivated	M5	21	12	21	10	12,5
K0250.0206	steel	blue-passivated	M6	25	14	25	12	12
K0250.0308	steel	blue-passivated	M8	33	18	33	16	16
K0250.0410	steel	blue-passivated	M10	40	24	40	18,7	20
K0250.902	stainless steel	electropolished	M2	14	8	14	6,7	4
K0250.003	stainless steel	electropolished	M3	18	10	18	8,6	7,5
K0250.104	stainless steel	electropolished	M4	21	12	21	10	10
K0250.105	stainless steel	electropolished	M5	21	12	21	10	12,5
K0250.206	stainless steel	electropolished	M6	25	14	25	12	12
K0250.308	stainless steel	electropolished	M8	33	18	33	16	16

Mushroom knobs internal thread

Overview of items

Order No.	Main material	Finish	D	D1	D2	H	H1	T
K0250.410	stainless steel	electropolished	M10	40	24	40	18,7	20
K0250.1902	aluminium	natural anodized	M2	14	8	14	6,7	4
K0250.1003	aluminium	natural anodized	M3	18	10	18	8,6	7,5
K0250.1104	aluminium	natural anodized	M4	21	12	21	10	10
K0250.1105	aluminium	natural anodized	M5	21	12	21	10	12,5
K0250.1206	aluminium	natural anodized	M6	25	14	25	12	12
K0250.1308	aluminium	natural anodized	M8	33	18	33	16	16
K0250.1410	aluminium	natural anodized	M10	40	24	40	18,7	20
K0250.2902	stainless steel	blasted	M2	14	8	14	6,7	4
K0250.2003	stainless steel	blasted	M3	18	10	18	8,6	7,5
K0250.2104	stainless steel	blasted	M4	21	12	21	10	10
K0250.2105	stainless steel	blasted	M5	21	12	21	10	12,5
K0250.2206	stainless steel	blasted	M6	25	14	25	12	12
K0250.2308	stainless steel	blasted	M8	33	18	33	16	16
K0250.2410	stainless steel	blasted	M10	40	24	40	18,7	20