

## Crank handles balanced

### Item description/product images



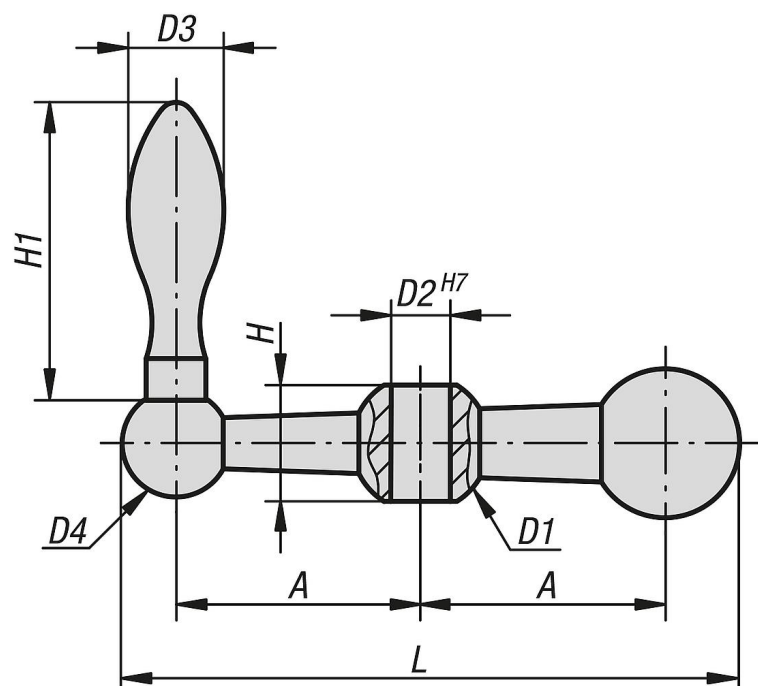
### Description

**Material:**  
Steel.

**Version:**  
Electro zinc-plated.

**Note:**  
Fixed handle DIN 39.

### Drawings



### Overview of items

#### Balanced handles

| Order No. | A  | D1 | D2 | D3 | D4 | H    | H1 | L     |
|-----------|----|----|----|----|----|------|----|-------|
| K0728.107 | 25 | 16 | 7  | 10 | 13 | 13   | 32 | 65,5  |
| K0728.108 | 34 | 20 | 8  | 14 | 16 | 17   | 46 | 87    |
| K0728.110 | 41 | 23 | 10 | 16 | 18 | 19,5 | 50 | 103,5 |
| K0728.112 | 50 | 26 | 12 | 18 | 20 | 21,5 | 56 | 124   |