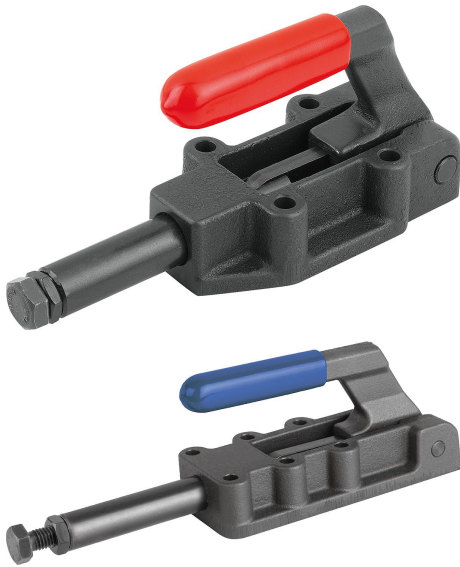


Push-pull clamps heavy-duty version with handle

Item description/product images



Description

Material:

Steel.
Body and handle ductile iron (SG iron)

Version:

Phosphated.
Plastic grip oil-resistant.

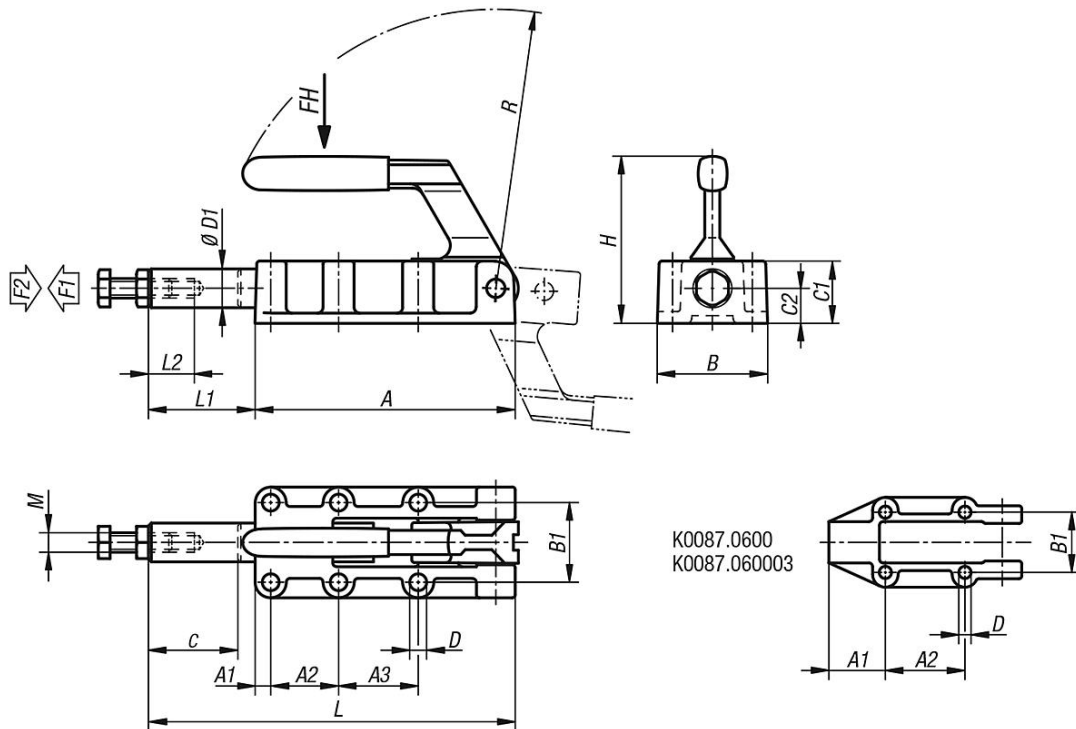
Note:

The clamps lock in the open and closed handle positions. They can be used for thrust or tension clamping.
These clamps also have travel limitation for advance and retraction.

Accessory:

- K0101
- K0102
- K0103
- K0106

Drawings



Overview of items

Push-pull clamps heavy-duty version with handle

Order No.	Component colour	A	A1	A2	A3	B	B1	C1	C2	D	D1	H	L	L1	L2	M	R	C (travel)	Opening angle of handle	Hand force FH N	Retaining force F2 N	Clamping force F1 N
K0087.0600	blue	89	25	36,5	-	46	33,4	23	12	5,5	14	63	127	38	30	M8	95	32	185°	140	6000	3000
K0087.1200	blue	133	8	35	41	61	41	32	18	8,5	20	88	188	55	40	M10	143	50	185°	150	12000	5000

Push-pull clamps heavy-duty version with handle

Overview of items

Order No.	Component colour	A	A1	A2	A3	B	B1	C1	C2	D	D1	H	L	L1	L2	M	R	C (travel)	Opening angle of handle	Hand force FH N	Retaining force F2 N	Clamping force F1 N
K0087.2500	blue	197	11	45	45	82	54	41	22	10,3	25	108	300	103	60	M12	200	75	185°	170	25000	5000
K0087.5000	blue	254	10	70	70	85	57	50	28	10,3	30	127	390	136	60	M16	245	100	185°	200	50000	7000
K0087.060003	red	89	25	36,5	-	46	33,4	23	12	5,5	14	63	127	38	30	M8	95	32	185°	140	6000	3000
K0087.120003	red	133	8	35	41	61	41	32	18	8,5	20	88	188	55	40	M10	143	50	185°	150	12000	5000
K0087.250003	red	197	11	45	45	82	54	41	22	10,3	25	108	300	103	60	M12	200	75	185°	170	25000	5000
K0087.500003	red	254	10	70	70	85	57	50	28	10,3	30	127	390	136	60	M16	245	100	185°	200	50000	7000