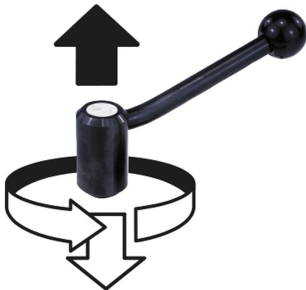


Tension levers internal thread, stainless steel

Item description/product images



lift to
disengage



Description

Material:

Steel parts stainless steel 1.4305.

Ball knob black plastic.

Version:

Stainless steel parts bright.

Ball knob polished.

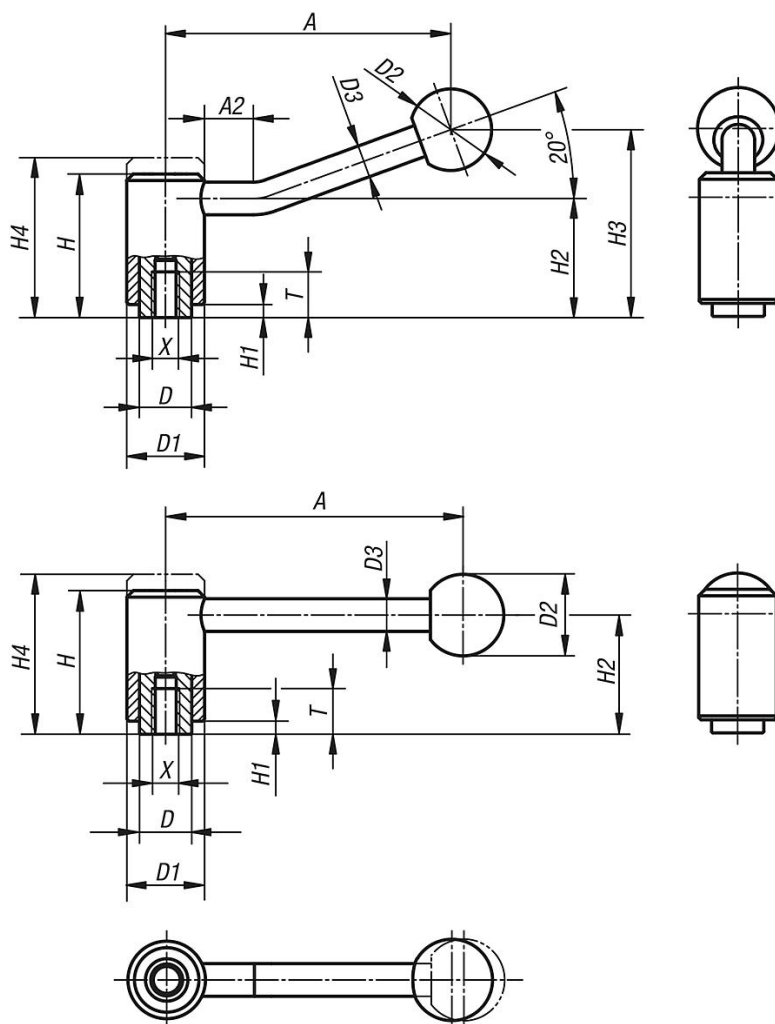
On request:

Other threads and special versions.

Dimensions "H1" and "A" available in other lengths at extra charge.

Tension levers internal thread, stainless steel

Drawings



Overview of items

Tension levers, internal thread, stainless steel

Order No.	Form	Size	X	T	D	D1	D2	D3	H	H1	H2	H3	H4	A	A2	No. of teeth
K0109.1082	0°	1	M8	14	16	24	25	10	44,5	4,5	37	-	49,5	92	-	22
K0109.1102	0°	1	M10	14	16	24	25	10	44,5	4,5	37	-	49,5	92	-	22
K0109.2102	0°	2	M10	17	19	28	32	12	51,5	5,5	42	-	57,5	111	-	24
K0109.2122	0°	2	M12	17	19	28	32	12	51,5	5,5	42	-	57,5	111	-	24
K0109.3122	0°	3	M12	23	23	33	32	13	58	6	47	-	65	134,5	-	26
K0109.3162	0°	3	M16	23	23	33	32	13	58	6	47	-	65	134,5	-	26
K0109.4162	0°	4	M16	27	30	41	32	13	68,5	7,5	56,5	-	76,5	134	-	36
K0109.4202	0°	4	M20	27	30	41	32	13	68,5	7,5	56,5	-	76,5	134	-	36
K0109.1081	20°	1	M8	14	16	24	25	10	44,5	4,5	37	58,5	49,5	88	15	22
K0109.1101	20°	1	M10	14	16	24	25	10	44,5	4,5	37	58,5	49,5	88	15	22
K0109.2101	20°	2	M10	17	19	28	32	12	51,5	5,5	42	68,5	57,5	106	15	24
K0109.2121	20°	2	M12	17	19	28	32	12	51,5	5,5	42	68,5	57,5	106	15	24
K0109.3121	20°	3	M12	23	23	33	32	13	58	6	47	81	65	128,5	15	26
K0109.3161	20°	3	M16	23	23	33	32	13	58	6	47	81	65	128,5	15	26
K0109.4161	20°	4	M16	27	30	41	32	13	68,5	7,5	56,5	89,5	76,5	128,5	15	36
K0109.4201	20°	4	M20	27	30	41	32	13	68,5	7,5	56,5	89,5	76,5	128,5	15	36