

Tubular handles

Item description/product images



Description

Material:

Legs black glass-bead reinforced thermoplastic.
Grip tube aluminium.

Version:

Grip, ground and natural colour anodised
Grip with serrated plastic sheath, black

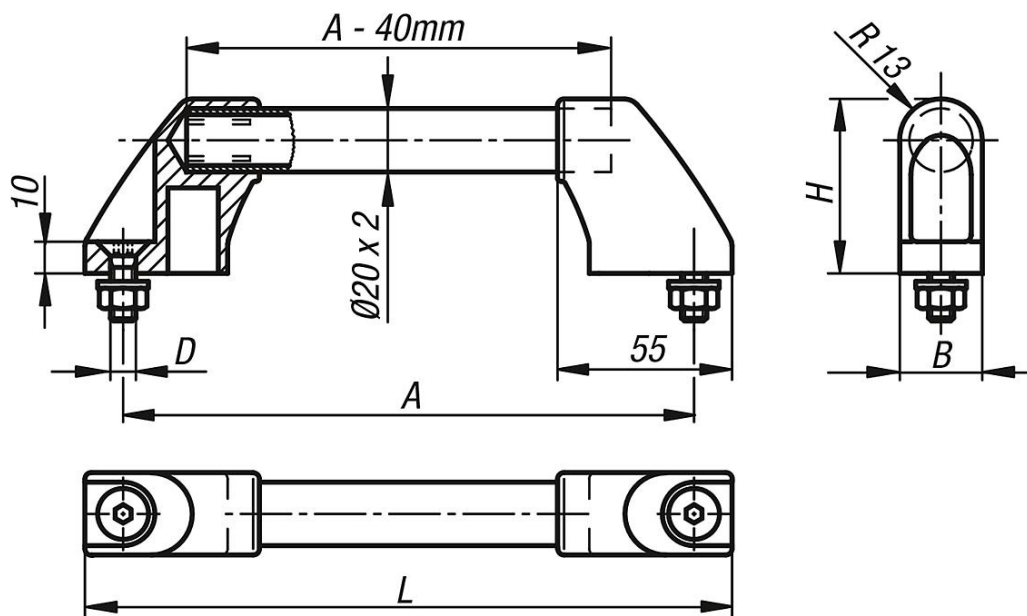
Note:

The legs have 4 webs in the hole for the grip tube. When pushing the tube in, these are trimmed off and produce a precise seating.
Black electro zinc-plated fastening screws, suitable washers and nuts are supplied.

Assembly:

From the front.

Drawings



Overview of items

Pull handles tubular

Order No.	Surface finish body	A	B	B1	D	H	L	Load capacity N
K0210.180	anodized	180	26	-	M8x20	55	204	500
K0210.200	anodized	200	26	-	M8x20	55	224	500
K0210.250	anodized	250	26	-	M8x20	55	274	500
K0210.300	anodized	300	26	-	M8x20	55	324	500
K0210.350	anodized	350	26	-	M8x20	55	374	500
K0210.400	anodized	400	26	-	M8x20	55	424	500
K0210.500	anodized	500	26	-	M8x20	55	524	500

Tubular handles

Overview of items

Order No.	Surface finish body	A	B	B1	D	H	L	Load capacity N
K0210.600	anodized	600	26	-	M8x20	55	624	500
K0210.1803	Plastic cover	180	26	-	M8x20	55	204	500
K0210.2003	Plastic cover	200	26	-	M8x20	55	224	500
K0210.2503	Plastic cover	250	26	-	M8x20	55	274	500
K0210.3003	Plastic cover	300	26	-	M8x20	55	324	500
K0210.3503	Plastic cover	350	26	-	M8x20	55	374	500
K0210.4003	Plastic cover	400	26	-	M8x20	55	424	500
K0210.5003	Plastic cover	500	26	-	M8x20	55	524	500
K0210.6003	Plastic cover	600	26	-	M8x20	55	624	500