

## Swivel feet plates stainless steel

### Item description/product images



### Description

#### Material:

Plates, stainless steel 1.4301.

Core, thermoplastic PA.

Rubber support TPE.

#### Version:

Plate bright.

Rubber support light grey with sealing lip, hardness 70 Shore A.

Temp. range -20°C to +100°C.

#### Note for ordering:

If the swivel foot plate and the threaded spindle or ball joint are to be supplied assembled, please add the suffix "assembled" to the order number for the plate and the spindle or ball joint. (e.g. K0418.1060 and K0421.060152 assembled.)

#### Note:

The rubber support is joined with the stainless steel plate and the PA core by injection moulding. The rubber support is resistant to oil and water (up to 60 °C). In addition, it is furnished with antibacterial and antimicrobial protection and is thus outstandingly suited for sectors in the food industry.

Swivel feet consist of a plate and a threaded spindle or ball joint. Any plate can be combined with any threaded spindle or ball joint.

For matching threaded spindles see K0421.

For matching ball joints see K0422.

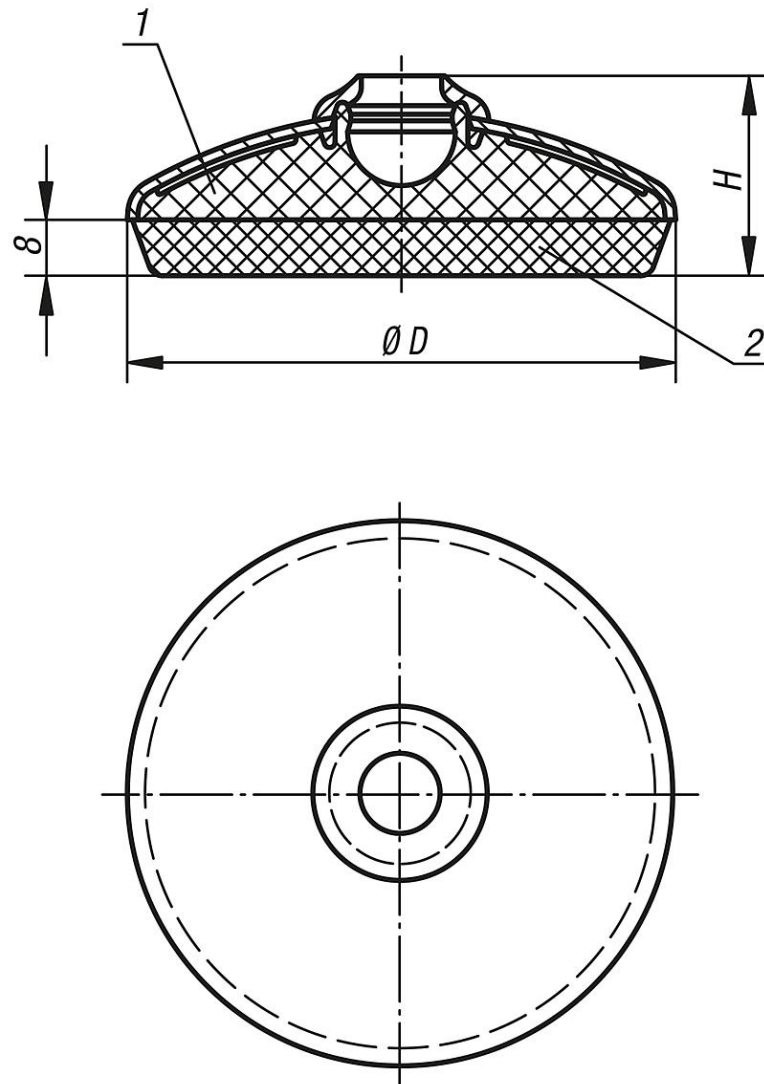
#### Drawing reference:

1) PA-core

2) rubber base

## Swivel feet plates stainless steel

### Drawings



### Overview of items

#### Swivel feet plates, stainless steel

Order No.	D	H	Load rating max. kN
K0418.1060	58,5	29	7
K0418.1080	78,5	29	7
K0418.1100	98,5	29	7