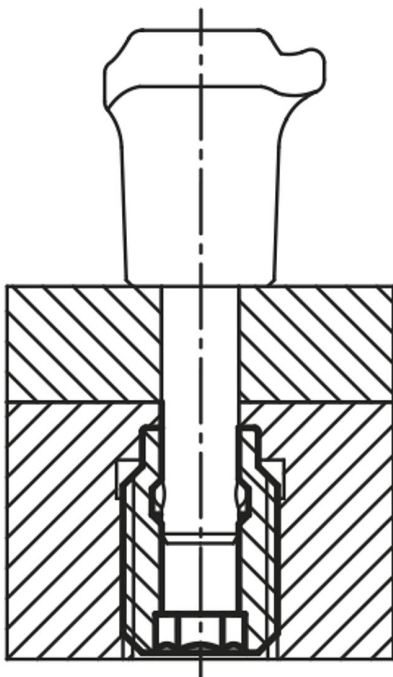


Bushing for ball lock pins

Item description/product images



Description

Material:

Stainless steel 1.4305.

Version:

Steel parts bright.

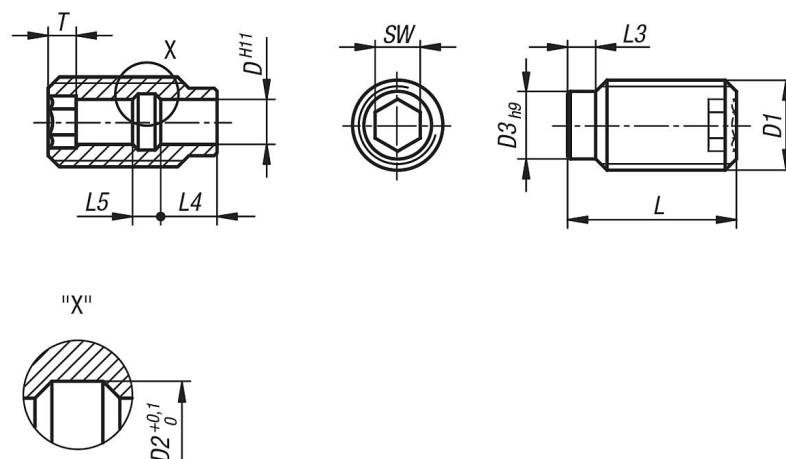
Note:

These bushes are ideal for easy and quick positioning of ball lock pins and locking pins.

Advantages:

- centred by the centring collar.
- easy and reliable installation.
- can be screwed into various materials.
- usable both sides

Drawings



Bushing for ball lock pins

Overview of items

Bushing for ball lock pins

Order No.	D	D1	D2	D3	L	L3	L4	L5	SW	T
K0724.10512	5	M12	6	9	25	4	7	3	5	4
K0724.10616	6	M16	7,5	12	30	5	10	5	6	5
K0724.10816	8	M16	10	12	30	5	10	5	8	5
K0724.11024	10	M24	13	18	35	6	8	7	10	6
K0724.11224	12	M24	15	18	35	6	8	7	12	6
K0724.11630	16	M30	20	24	40	8	11	9	16	7