

Hexagon nuts with collar height 1.5xD, DIN 6331 enhanced

Item description/product images



Description

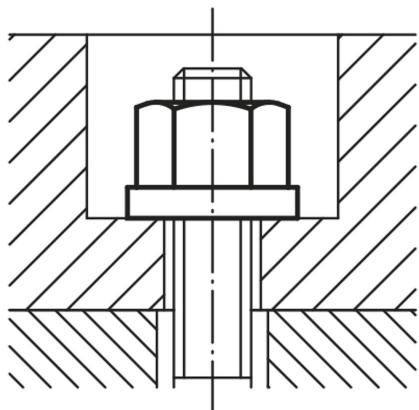
Material:

High-carbon steel, stainless steel 1.4301 or 1.4401.

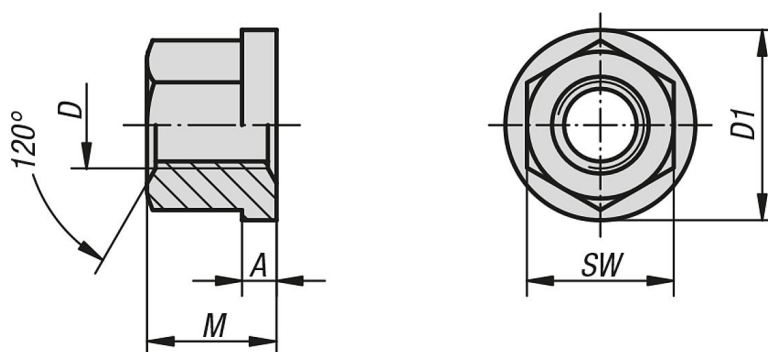
Version:

Steel grade 10, black.

Stainless steel bright.



Drawings



Overview of items

Hexagon nuts with collar height 1.5xD, DIN 6331 enhanced

Order No.	Main material	Steel code	D	M = 1,5 x D	A	D1	SW
K0701.05	high carbon steel	-	M5	7,5	2	12	9
K0701.06	high carbon steel	-	M6	9	3	14	10
K0701.08	high carbon steel	-	M8	12	3,5	18	13
K0701.10	high carbon steel	-	M10	15	4	22	16
K0701.101	high carbon steel	-	M10	15	4	22	17
K0701.12	high carbon steel	-	M12	18	4	25	18
K0701.121	high carbon steel	-	M12	18	4	25	19
K0701.14	high carbon steel	-	M14	21	4,5	28	22
K0701.16	high carbon steel	-	M16	24	5	31	24
K0701.18	high carbon steel	-	M18	27	5	34	27
K0701.20	high carbon steel	-	M20	30	6	37	30
K0701.22	high carbon steel	-	M22	33	6	40	34
K0701.24	high carbon steel	-	M24	36	6	45	36

Hexagon nuts with collar height 1.5xD, DIN 6331 enhanced

Overview of items

Order No.	Main material	Steel code	D	M = 1,5 x D	A	D1	SW
K0701.30	high carbon steel	-	M30	45	8	58	46
K0701.36	high carbon steel	-	M36	54	10	68	55
K0701.806	stainless steel	1.4301	M6	9	3	14	10
K0701.808	stainless steel	1.4301	M8	12	3,5	18	13
K0701.810	stainless steel	1.4301	M10	15	4	22	16
K0701.811	stainless steel	1.4301	M10	15	4	22	17
K0701.812	stainless steel	1.4301	M12	18	4	25	18
K0701.8121	stainless steel	1.4301	M12	18	4	25	19
K0701.816	stainless steel	1.4301	M16	24	5	31	24
K0701.820	stainless steel	1.4301	M20	30	6	37	30
K0701.908	stainless steel	1.4401	M8	12	3,5	18	13
K0701.910	stainless steel	1.4401	M10	15	4	22	17
K0701.912	stainless steel	1.4401	M12	18	4	25	19
K0701.916	stainless steel	1.4401	M16	24	5	31	24
K0701.920	stainless steel	1.4401	M20	30	6	37	30