

Shaft clamping units

Item description/product images



Description

Material:

Jaws steel.
Spring 1.4310.
Screw grade 8.8.

Version:

Jaws black oxidised.
Screw blue electro zinc-plated.

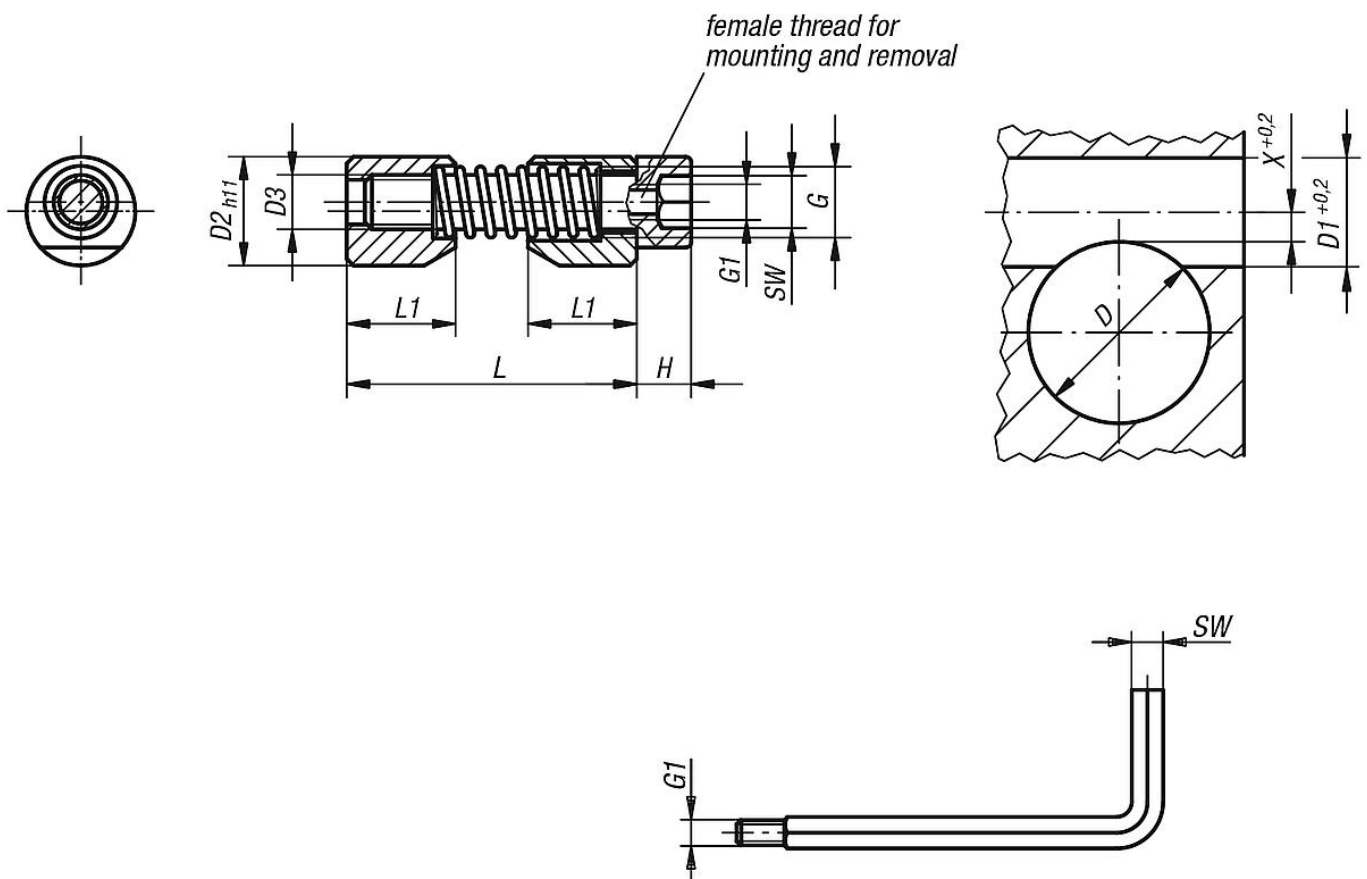
Note:

These shaft clamping units are the simple alternative to conventional shaft clamping (slot and grub screw).

The units are suitable for various materials (metal, plastic, wood etc).

To loosen a jammed clamp simply hit it axially or extract it using a screw in the jaw end or screw head.

Drawings



Special hex key with a threaded pin.
The pin is screwed into the hole G1 in the head of the cap screw to aid in positioning or removing the clamping unit.

Shaft clamping units

Overview of items

Shaft clamping units

Order No.	D	D1	D2	D3	G	G1	H	L max.	L1	SW	X	Clamping torque Mx Nm	Tightening torque max. Nm	Order No. assembly tool
K0375.04	10	8	8	M4	M5	M2,5	4	27	8	3	2,8	max. 20	2,9	K0375.904
K0375.05	15	10	10	M5	M6	M3	5	33	10	4	3,3	max. 45	6	K0375.905
K0375.06	20	12	12	M6	M7	M4	6	39	12	5	3,5	max. 100	10	K0375.906
K0375.08	30	16	16	M8	M10	M5	8	46	16	6	4	max. 170	25	K0375.908
K0375.10	40	20	20	M10	M12	M6	10	53	20	8	4,8	max. 290	46	K0375.910
K0375.12	60	25	25	M12	M14	M8	12	70	25	10	5,6	max. 450	82	K0375.912
K0375.16	125	30	30	M16	M18	M10	16	81	30	14	7,9	max. 650	206	K0375.916