

Magnets raw NdFeB, block form

Item description/product images



Description

Material:
NdFeB N35 (neodymium).

Version:
Electro zinc-plated.

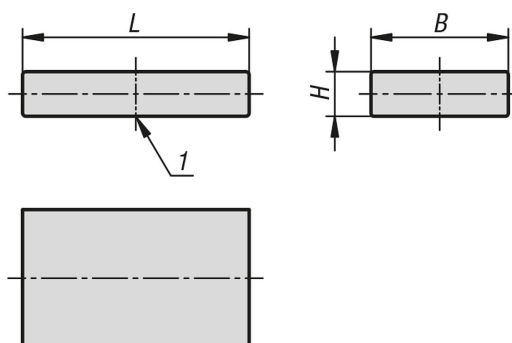
Note:
Unshielded system.

Temperature range:
max. 80°C.

Assembly:
The magnets can be mounted by press-fit or gluing.

Drawing reference:
1) magnetic face

Drawings



Overview of items

Magnets raw, NdFeB, block form

Order No.	B	H	L	Magnetic force N
K1406.0704	4 ±0,1	1,5 ±0,1	7,5 ±0,1	5
K1406.0706	6 ±0,1	2 ±0,1	7,5 ±0,1	8
K1406.1007	7,5 ±0,1	2 ±0,1	10 ±0,1	11
K1406.1209	9,5 ±0,1	2,5 ±0,1	12 ±0,1	17
K1406.1612	12,5 ±0,1	2,5 ±0,1	16 ±0,1	24
K1406.1816	16,5 ±0,1	4 ±0,1	18 ±0,1	50
K1406.2620	20,3 ±0,1	5 ±0,1	26 ±0,1	77
K1406.3326	26 ±0,1	6,5 ±0,1	33 ±0,1	125