

Pivot bearing, steel with external thread

Item description/product images



Description

Material:

Pivot bearing steel 1.0715.

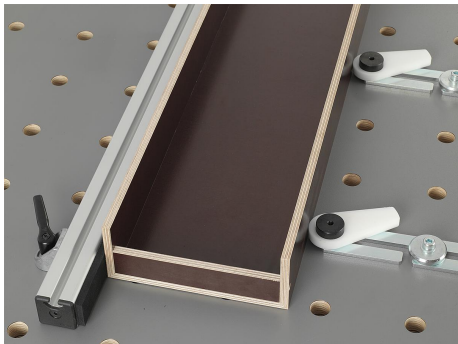
Threaded pin steel.

Version:

Pivot bearing black oxidised. Screw electro zinc-plated.

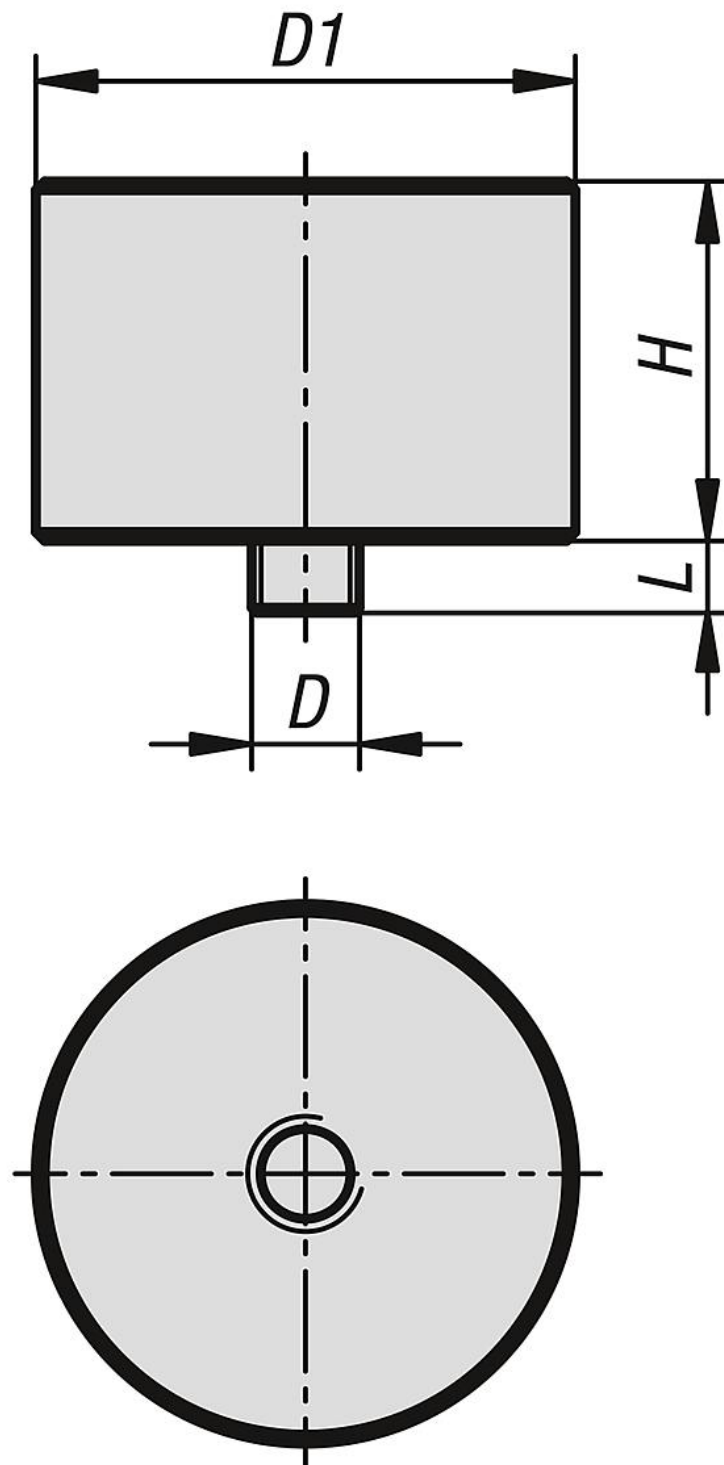
Note:

Pivot bearings are used in combination with plates and a cam clamp for indirect clamping.



Pivot bearing, steel with external thread

Drawings

**Overview of items****Pivot bearing steel, with grub screw**

Pivot bearing, steel with external thread**Overview of items**

Order No.	D	D1	H	L
K1507.3006X04	M6	30	20	4