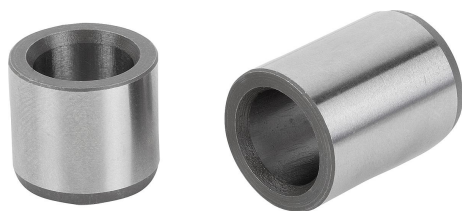


Locating bushes for locating pins

Item description/product images

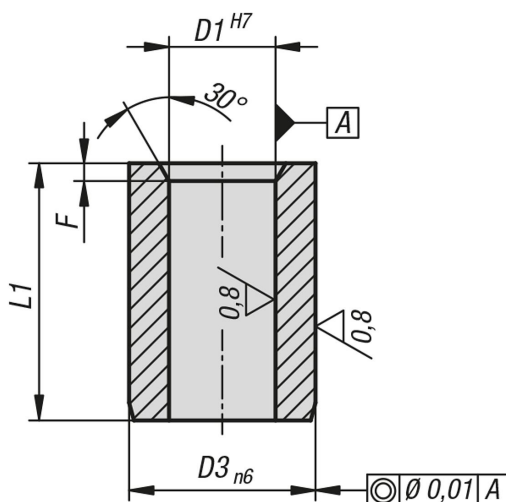


Description

Material:
Steel.

Version:
Hardened and ground (HRC 60 ±2).

Drawings



Overview of items

Locating bushes for locating pins

Order No.	Type	D1	D3	L1	F
K1095.0812	short	8	12	12	1,2
K1095.1014	short	10	15	14	1,5
K1095.1216	short	12	18	16	1,5
K1095.1620	short	16	26	20	1,5
K1095.2026	short	20	30	26	2,5
K1095.0818	long	8	12	18	1,2
K1095.1022	long	10	15	22	1,5
K1095.1224	long	12	18	24	1,5
K1095.1630	long	16	26	30	1,5
K1095.2036	long	20	30	36	2,5