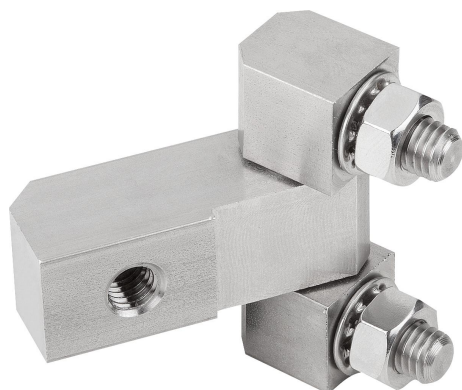


## Block hinges with fastening nuts, long version

### Item description/product images



### Description

#### Material:

Steel.  
Stainless steel 1.4305.  
Stainless steel A4 1.4401.

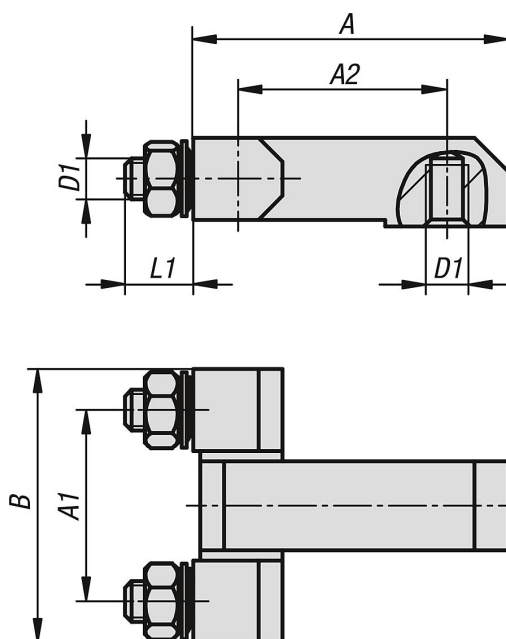
#### Version:

Steel electro zinc-plated.  
Stainless steel bright.

#### Note:

Block hinges with fastening nuts and extended middle section for inset doors.  
Mounted with nuts (M6 or M8) from inside.  
The hinge can be mounted left or right. The opening angle is 180°.  
Supplied unassembled. Fastening nuts and washers are supplied.

### Drawings



### Overview of items

#### Block hinges with fastening nuts, long version

| Order No.      | Main material   | Steel code | A  | A1 | A2 | B  | D1 | L1 length |
|----------------|-----------------|------------|----|----|----|----|----|-----------|
| K1143.0630028  | steel           | -          | 45 | 28 | 30 | 40 | M6 | 10        |
| K1143.0829035  | steel           | -          | 50 | 35 | 29 | 51 | M8 | 14        |
| K1143.10630028 | stainless steel | 1.4305     | 45 | 28 | 30 | 40 | M6 | 10        |
| K1143.10829035 | stainless steel | 1.4305     | 50 | 35 | 29 | 51 | M8 | 14        |
| K1143.20630028 | stainless steel | 1.4401     | 45 | 28 | 30 | 40 | M6 | 10        |
| K1143.20829035 | stainless steel | 1.4401     | 50 | 35 | 29 | 51 | M8 | 14        |