

Lateral spring plungers

Item description/product images



Description

Material:

Sleeve aluminium.
Spring steel.
Thrust pin steel or POM.

Version:

Steel thrust pin hardened and electro zinc-plated.
Sleeve blue electro zinc-plated.

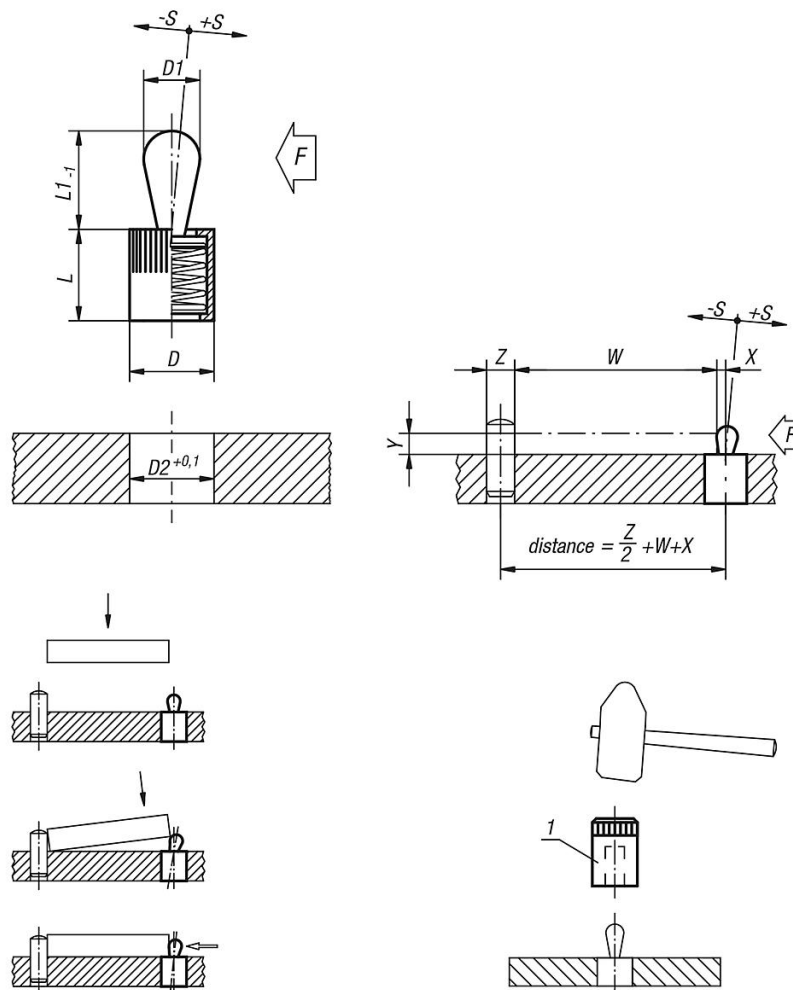
Note:

Lateral spring plungers are for positioning, clamping, holding and securing workpieces and parts for engraving, labelling, drilling, reaming, tapping, honing, grinding, welding, soldering, assembling, mounting etc.
Suitable eccentric adjustment bush see K0369.
W and Z are customer specified.

Drawing reference:

1) assembly tool

Drawings



Lateral spring plungers

Overview of items

Lateral spring plungers without seal, thrust pin and spring steel

Order No.	Version	Material	D	D1	L	L1	D2	±S	F approx. N	X if Y = 1	X if Y = 2	X if Y = 3	X if Y = 4.5	X if Y = 6	X if Y = 8	Order No. assembly tool
K0368.21034	without seal	steel	6	3	7	4	6	0,5	10	0,8	1	1	1	1	1	K0369.03
K0368.21036	without seal	steel	6	3	7	4	6	0,5	20	0,8	1	1	1	1	1	K0369.03
K0368.21038	without seal	steel	6	3	7	4	6	0,5	40	0,8	1	1	1	1	1	K0369.03
K0368.21054	without seal	steel	10	5	11	6,7	10	0,8	20	-	1,5	1,7	1,7	1,7	1,7	K0369.05
K0368.21056	without seal	steel	10	5	11	6,7	10	0,8	50	-	1,5	1,7	1,7	1,7	1,7	K0369.05
K0368.21058	without seal	steel	10	5	11	6,7	10	0,8	100	-	1,5	1,7	1,7	1,7	1,7	K0369.05
K0368.21064	without seal	steel	10	6	11	10,7	10	1	40	-	-	-	1,7	1,9	1,9	K0369.05
K0368.21066	without seal	steel	10	6	11	10,7	10	1	75	-	-	-	1,7	1,9	1,9	K0369.05
K0368.21068	without seal	steel	10	6	11	10,7	10	1	100	-	-	-	1,7	1,9	1,9	K0369.05
K0368.21084	without seal	steel	12	8	13	13,9	12	1,3	50	-	-	-	-	2,5	2,7	K0369.08
K0368.21086	without seal	steel	12	8	13	13,9	12	1,3	100	-	-	-	-	2,5	2,7	K0369.08
K0368.21088	without seal	steel	12	8	13	13,9	12	1,3	150	-	-	-	-	2,5	2,7	K0369.08
K0368.21104	without seal	steel	16	10	17	16,7	16	1,6	100	-	-	-	-	-	3,1	K0369.10
K0368.21106	without seal	steel	16	10	17	16,7	16	1,6	150	-	-	-	-	-	3,1	K0369.10
K0368.21108	without seal	steel	16	10	17	16,7	16	1,6	200	-	-	-	-	-	3,1	K0369.10
K0368.22034	with seal	steel	6	3	7	4	6	0,5	10	0,8	1	1	1	1	1	K0369.03
K0368.22036	with seal	steel	6	3	7	4	6	0,5	20	0,8	1	1	1	1	1	K0369.03
K0368.22038	with seal	steel	6	3	7	4	6	0,5	40	0,8	1	1	1	1	1	K0369.03
K0368.22054	with seal	steel	10	5	12	6	10	0,8	20	-	1,5	1,7	1,7	1,7	1,7	K0369.05
K0368.22056	with seal	steel	10	5	12	6	10	0,8	50	-	1,5	1,7	1,7	1,7	1,7	K0369.05
K0368.22058	with seal	steel	10	5	12	6	10	0,8	100	-	1,5	1,7	1,7	1,7	1,7	K0369.05
K0368.22064	with seal	steel	10	6	12	10	10	1	40	-	-	-	1,7	1,9	1,9	K0369.05
K0368.22066	with seal	steel	10	6	12	10	10	1	75	-	-	-	1,7	1,9	1,9	K0369.05
K0368.22068	with seal	steel	10	6	12	10	10	1	100	-	-	-	1,7	1,9	1,9	K0369.05
K0368.22084	with seal	steel	12	8	14	13	12	1,3	50	-	-	-	-	2,5	2,7	K0369.08
K0368.22086	with seal	steel	12	8	14	13	12	1,3	100	-	-	-	-	2,5	2,7	K0369.08
K0368.22088	with seal	steel	12	8	14	13	12	1,3	150	-	-	-	-	2,5	2,7	K0369.08
K0368.22104	with seal	steel	16	10	18	16	16	1,6	100	-	-	-	-	-	3,1	K0369.10
K0368.22106	with seal	steel	16	10	18	16	16	1,6	150	-	-	-	-	-	3,1	K0369.10
K0368.22108	with seal	steel	16	10	18	16	16	1,6	200	-	-	-	-	-	3,1	K0369.10
K0368.71034	without seal	polyacetal	6	3	7	4	6	0,5	10	0,8	1	1	1	1	1	K0369.03
K0368.71054	without seal	polyacetal	10	5	11	6,7	10	0,8	20	-	1,5	1,7	1,7	1,7	1,7	K0369.05
K0368.71064	without seal	polyacetal	10	6	11	10,7	10	1	40	-	-	-	1,7	1,9	1,9	K0369.05
K0368.71084	without seal	polyacetal	12	8	13	13,9	12	1,3	50	-	-	-	-	2,5	2,7	K0369.08
K0368.71104	without seal	polyacetal	16	10	17	16,7	16	1,6	100	-	-	-	-	-	3,1	K0369.10
K0368.72034	with seal	polyacetal	6	3	7	4	6	0,5	10	0,8	1	1	1	1	1	K0369.03
K0368.72054	with seal	polyacetal	10	5	12	6	10	0,8	20	-	1,5	1,7	1,7	1,7	1,7	K0369.05
K0368.72064	with seal	polyacetal	10	6	12	10	10	1	40	-	-	-	1,7	1,9	1,9	K0369.05
K0368.72084	with seal	polyacetal	12	8	14	13	12	1,3	50	-	-	-	-	2,5	2,7	K0369.08
K0368.72104	with seal	polyacetal	16	10	18	16	16	1,6	100	-	-	-	-	-	3,1	K0369.10

Lateral spring plungers with seal, thrust pin and spring steel

Order No.	D	D1	L	L1	D2	±S	F ca.N	X if Y = 1	X if Y = 2	X if Y = 3	X if Y = 4.5	X if Y = 6	X if Y = 8	Order No. assembly tool
K0368.22034	6	3	7	4	6	0,5	10	0,8	1	1	1	1	1	K0369.03
K0368.22036	6	3	7	4	6	0,5	20	0,8	1	1	1	1	1	K0369.03
K0368.22038	6	3	7	4	6	0,5	40	0,8	1	1	1	1	1	K0369.03
K0368.22054	10	5	12	6	10	0,8	20	-	1,5	1,7	1,7	1,7	1,7	K0369.05
K0368.22056	10	5	12	6	10	0,8	50	-	1,5	1,7	1,7	1,7	1,7	K0369.05
K0368.22058	10	5	12	6	10	0,8	100	-	1,5	1,7	1,7	1,7	1,7	K0369.05
K0368.22064	10	6	12	10	10	1	40	-	-	-	1,7	1,9	1,9	K0369.05
K0368.22066	10	6	12	10	10	1	75	-	-	-	1,7	1,9	1,9	K0369.05
K0368.22068	10	6	12	10	10	1	100	-	-	-	1,7	1,9	1,9	K0369.05
K0368.22084	12	8	14	13	12	1,3	50	-	-	-	-	2,5	2,7	K0369.08
K0368.22086	12	8	14	13	12	1,3	100	-	-	-	-	2,5	2,7	K0369.08
K0368.22088	12	8	14	13	12	1,3	150	-	-	-	-	2,5	2,7	K0369.08
K0368.22104	16	10	18	16	16	1,6	100	-	-	-	-	-	3,1	K0369.10

Lateral spring plungers

Overview of items

Order No.	D	D1	L	L1	D2	±S	F ca.N	X if Y = 1	X if Y = 2	X if Y = 3	X if Y = 4.5	X if Y = 6	X if Y = 8	Order No. assembly tool
K0368.22106	16	10	18	16	16	1,6	150	-	-	-	-	-	3,1	K0369.10
K0368.22108	16	10	18	16	16	1,6	200	-	-	-	-	-	3,1	K0369.10

Lateral spring plungers without seal, thrust pin POM, spring steel

Order No.	D	D1	L	L1	D2	±S	F ca.N	X if Y = 1	X if Y = 2	X if Y = 3	X if Y = 4.5	X if Y = 6	X if Y = 8	Order No. assembly tool
K0368.71034	6	3	7	4	6	0,5	10	0,8	1	1	1	1	1	K0369.03
K0368.71054	10	5	11	6,7	10	0,8	20	-	1,5	1,7	1,7	1,7	1,7	K0369.05
K0368.71064	10	6	11	10,7	10	1	40	-	-	-	1,7	1,9	1,9	K0369.05
K0368.71084	12	8	13	13,9	12	1,3	50	-	-	-	-	2,5	2,7	K0369.08
K0368.71104	16	10	17	16,7	16	1,6	100	-	-	-	-	-	3,1	K0369.10

Lateral spring plungers with seal, thrust pin POM, spring steel

Order No.	D	D1	L	L1	D2	±S	F ca.N	X if Y = 1	X if Y = 2	X if Y = 3	X if Y = 4.5	X if Y = 6	X if Y = 8	Order No. assembly tool
K0368.72034	6	3	7	4	6	0,5	10	0,8	1	1	1	1	1	K0369.03
K0368.72054	10	5	12	6	10	0,8	20	-	1,5	1,7	1,7	1,7	1,7	K0369.05
K0368.72064	10	6	12	10	10	1	40	-	-	-	1,7	1,9	1,9	K0369.05
K0368.72084	12	8	14	13	12	1,3	50	-	-	-	-	2,5	2,7	K0369.08
K0368.72104	16	10	18	16	16	1,6	100	-	-	-	-	-	3,1	K0369.10