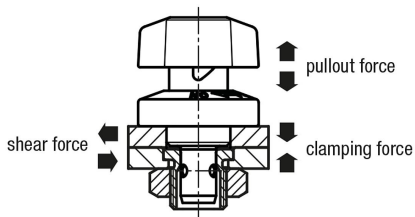


Ball lock pins with twist knob

Item description/product images



Description

Material:

Housing and pin steel.
Knob thermoplastic PA (polyamide).
Ball and spring stainless steel.

Version:

Housing nickel-plated.
Pin tempered and nickel-plated.
Knob reinforced fibreglass, black.
Ball tempered.

Note:

Installation dimensions for Form A for plate thickness 6 or 12 mm.
Installation dimensions for Form B for plate thickness up to 20 mm.
Includes M2 or M3 mounting screws.

Attention:

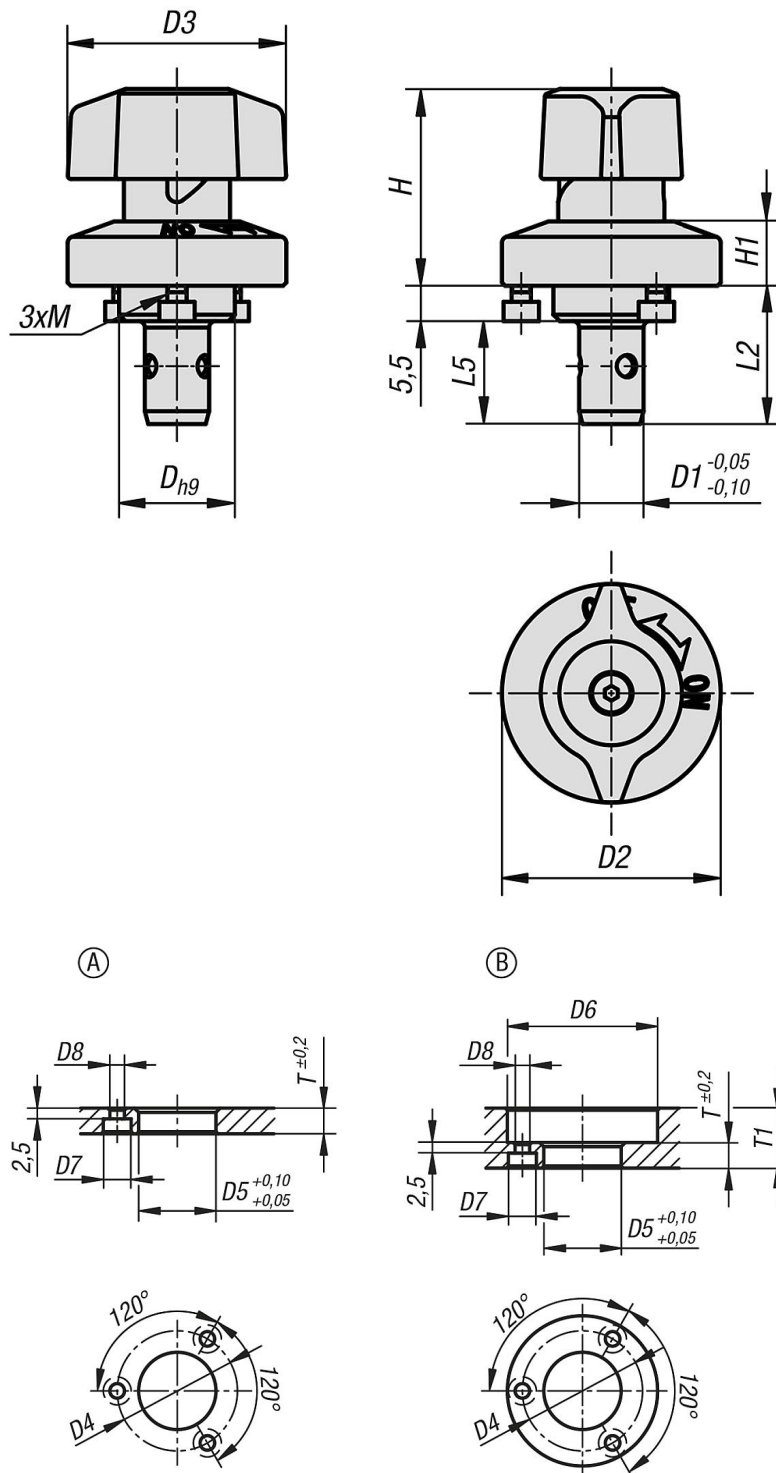
The specified pullout forces only apply in conjunction with locating bush K1065.

Accessory:

Locating bush K1065.

Ball lock pins with twist knob

Drawings



Overview of items

Ball lock pin with twist knob

Order No.	Main material	D	D1	D2	D3	D4	H	H1	L2	L5	M	D5	D6	D7	D8	T	T1	Clamping force N	Shearing force kN	Pullout force kN	Temperature resistance
K1064.620	steel	14	6	25	25	21	24,5	6,5	19,5	14	M2x3	14	26	4,4	2,4	6	6-10	30	3	0,5	≤130 °C

Ball lock pins with twist knob

Overview of items

Order No.	Main material	D	D1	D2	D3	D4	H	H1	L2	L5	M	D5	D6	D7	D8	T	T1	Clamping force N	Shearing force kN	Pullout force kN	Temperature resistance
K1064.1022	steel	18	10	34	34	28	31	10	21,5	16	M3x4	18	35	6,5	3,4	6	6-14	50	9	1,5	≤130 °C
K1064.1028	steel	18	10	34	34	28	31	10	27,5	22	M3x4	18	35	6,5	3,4	12	12-20	50	9	1,5	≤130 °C
K1064.1620	stainless steel	14	6	25	25	21	24,5	6,5	19,5	14	M2x3	14	26	4,4	2,4	6	6-10	30	3	0,5	≤130 °C
K1064.11022	stainless steel	18	10	34	34	28	31	10	21,5	16	M3x4	18	35	6,5	3,4	6	6-14	50	9	1,5	≤130 °C
K1064.11028	stainless steel	18	10	34	34	28	31	10	27,5	22	M3x4	18	35	6,5	3,4	12	12-20	50	9	1,5	≤130 °C