

Vent screws brass with check valve

Item description/product images



Description

Material:
 Housing and cap brass.
 Spring stainless steel.
 Lift disc aluminium.
 O-ring rubber (NBR).

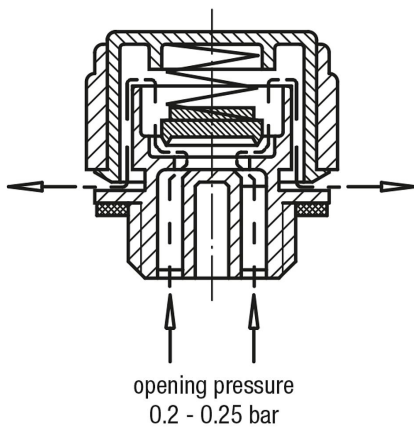
Version:
 Flat seal asbestos-free.

Note:
 Opening pressure 0.3 bar (± 0.1).

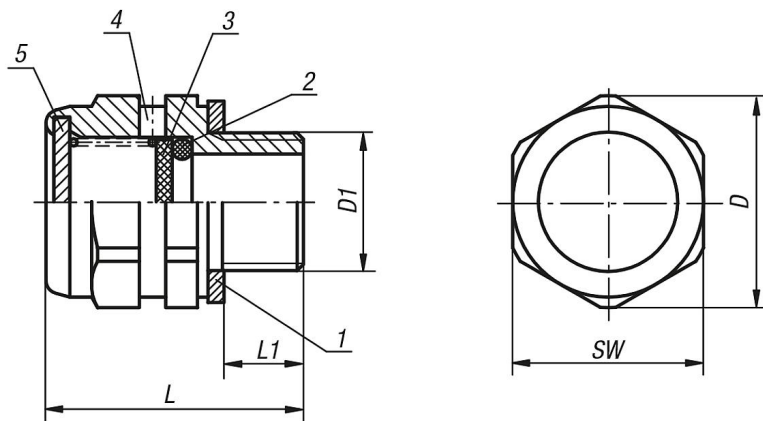
Functional principle:
 See K0459 vent screws with check valve.

Drawing reference:
 1) flat seal
 2) O-ring
 3) lift disc
 4) vent hole 2x
 5) cap

Operating principle



Drawings



Overview of items

Vent screws brass with check valve

Order No.	D	D1	L	L1	SW
K0461.20014	20	G1/4	24,3	7,5	18
K0461.24038	24,5	G3/8	24,5	8,5	22
K0461.30012	30	G1/2	24,5	8,5	27