

Screw plugs

Item description/product images



Description

Material:

Thermoplastic polyamide 66

Version:

Black. Flat seal asbestos-free

Temperature range:

Temperature resistant with oil up to 100°C.

Drawing reference:

Form A: with fill symbol

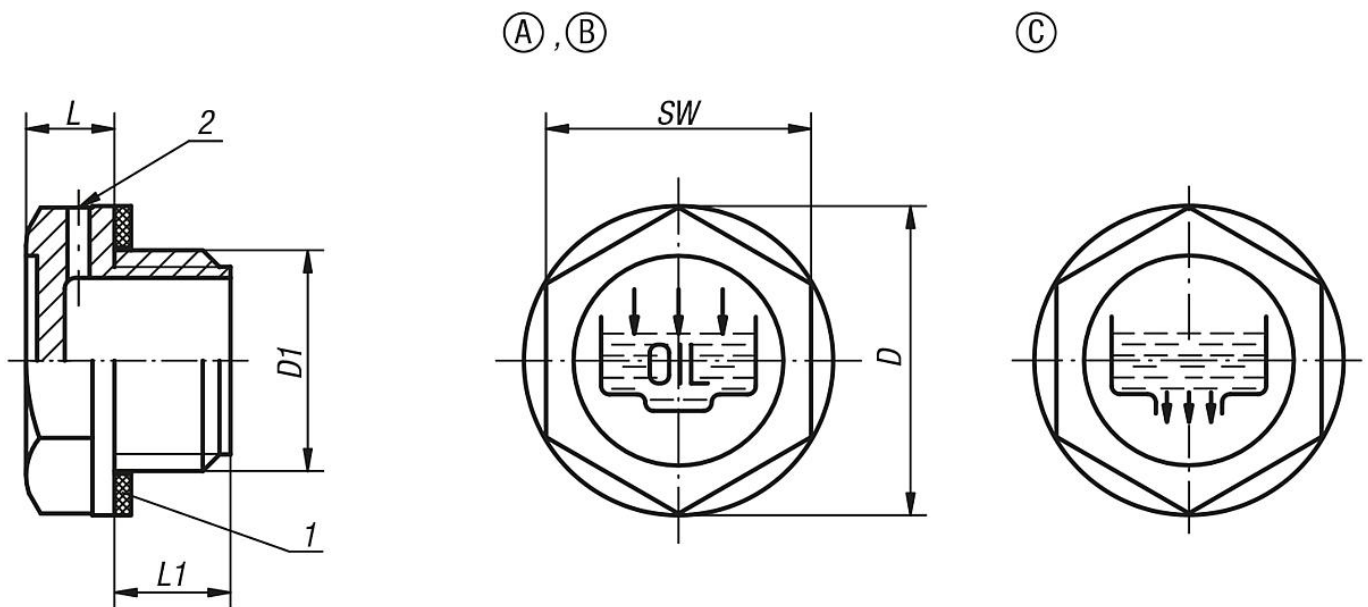
Form B: with fill symbol and vent hole

Form C: with drain symbol

1) flat seal

2) vent hole Form B only

Drawings



Overview of items

Screw plugs

Order No. Form A	Order No. Form B	Order No. Form C	D	D1	L	L1	SW	Tightening torque max. Nm
K0454.119014	K0454.219014	K0454.319014	19,5	G1/4	7	9	17	5
K0454.122038	K0454.222038	K0454.322038	22	G3/8	7,5	10	18	8
K0454.128012	K0454.228012	K0454.328012	28	G1/2	7,5	11	24	9
K0454.134034	K0454.234034	K0454.334034	34	G3/4	9	11	30	11
K0454.142100	K0454.242100	K0454.342100	42	G1	10,5	12	35	-
K0454.151114	K0454.251114	K0454.351114	51	G1 1/4	12	13,5	42	-
K0454.158112	K0454.258112	K0454.358112	58	G1 1/2	10	14,5	50	-
K0454.174200	K0454.274200	K0454.374200	74	G2	13,5	16	64	-

Screw plugs

Overview of items

Order No. Form A	Order No. Form B	Order No. Form C	D	D1	L	L1	SW	Tightening torque max. Nm
K0454.1191415	K0454.2191415	K0454.3191415	19,5	M14X1,5	7	9	17	5
K0454.1211615	K0454.2211615	K0454.3211615	21	M16X1,5	7,5	10	18	6
K0454.1261815	K0454.2261815	K0454.3261815	26	M18X1,5	7,5	10	21	7
K0454.1282015	K0454.2282015	K0454.3282015	28	M20X1,5	8	10	24	8
K0454.1282215	K0454.2282215	K0454.3282215	28	M22X1,5	8	11	24	10
K0454.1524015	K0454.2524015	K0454.3524015	52	M40X1,5	10	13	42	-