

Pull handles stainless steel

Item description/product images



Description

Material:

Investment cast 1.4308 stainless steel.

Fasteners 1.4301 stainless steel.

Version:

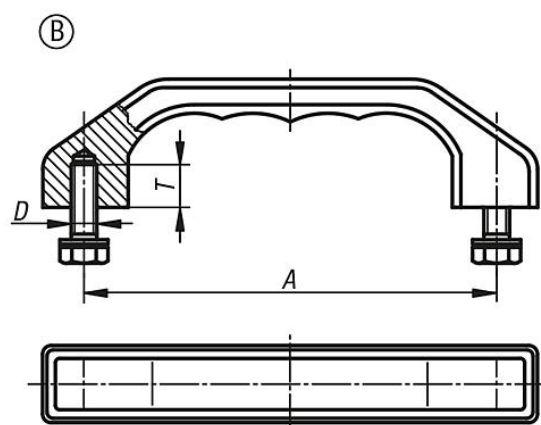
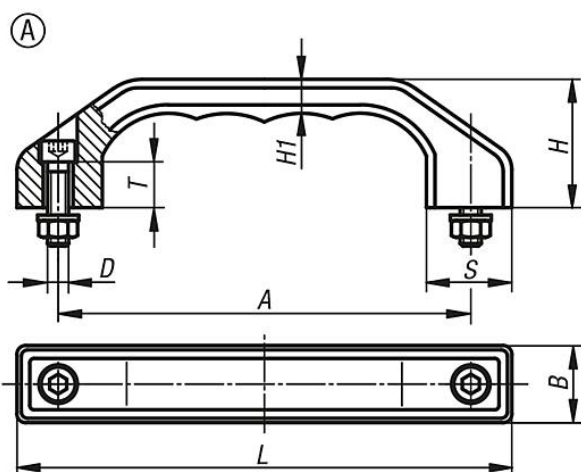
Abrasive cleaned and matt gloss electropolished.

Assembly:

Form A from the front.

Form B from the rear.

Drawings



Overview of items

Pull handles stainless steel

| Order No. | Form | A | B | D | H | H1 | L | S | T | Load capacity N |
|--------------|------|-----|----|--------|----|----|-----|----|----|-----------------|
| K0198.140081 | A | 140 | 25 | M8x30 | 45 | 12 | 170 | 28 | 15 | 1000 |
| K0198.180101 | A | 180 | 32 | M10x40 | 58 | 15 | 218 | 36 | 18 | 1000 |
| K0198.140082 | B | 140 | 25 | M8x18 | 45 | 12 | 170 | 28 | 15 | 1000 |
| K0198.180102 | B | 180 | 32 | M10x20 | 58 | 15 | 218 | 36 | 18 | 1000 |