

Toggle clamps latch horizontal with catch plate

Item description/product images



Description

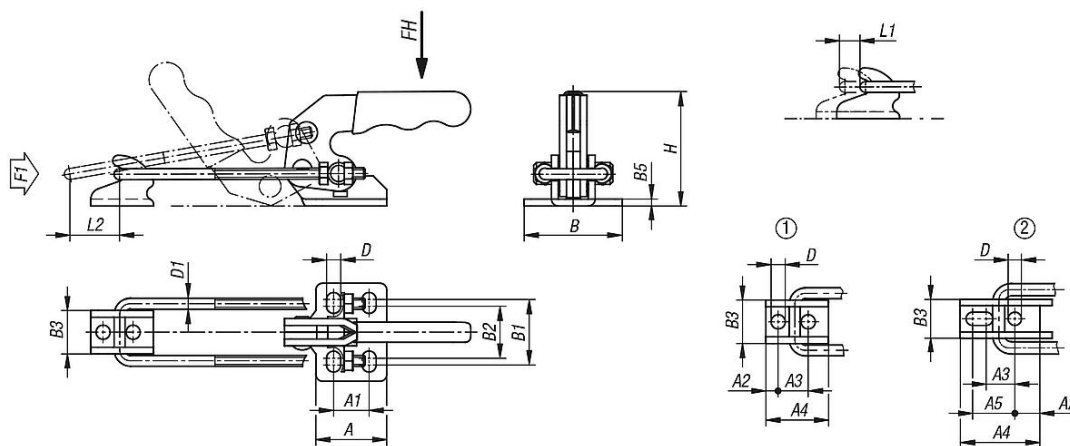
Material:
Steel or stainless steel.

Version:
Electro zinc-plated steel.
Bright stainless steel.
Plastic handle, oil-resistant.

Note:
Horizontal latch toggle clamps are especially suitable for quickly closing and locking covers and hatches.
The travel can be set by altering the hasp length.



Drawings



Overview of items

Toggle clamps latch horizontal with catch plate

| Order No. | Main material | hole arrangement | Pull force F1 N | Hand force FH N | A | A1 | A2 | A3 | A4 | A5 | B | B1 | B2 | B3 | B5 | D | D1 | H | L1 | Clamping travel L2 |
|-------------|-----------------|------------------|-----------------|-----------------|----|----|------|----|------|------|----|----|------|----|-----|-----|----|------|------|--------------------|
| K1260.02000 | steel | 1 | 2000 | 100 | 26 | 13 | 4,5 | 11 | 23 | - | 36 | 24 | 19 | 16 | 2,5 | 5,2 | 4 | 42 | 40,6 | 16 |
| K1260.04000 | steel | 2 | 4000 | 150 | 35 | 19 | 12,2 | 14 | 39,1 | 20,6 | 48 | 32 | 24,8 | 19 | 3 | 6,5 | 6 | 60,5 | 49,8 | 24 |
| K1260.07000 | steel | 1 | 7000 | 200 | 51 | 32 | 8 | 19 | 40 | - | 60 | 45 | 36 | 28 | 4 | 8,5 | 8 | 85,6 | 56,3 | 32 |
| K1260.12000 | stainless steel | 1 | 2000 | 100 | 26 | 13 | 4,5 | 11 | 23 | - | 36 | 24 | 19 | 16 | 2,5 | 5,2 | 4 | 42 | 40,6 | 16 |
| K1260.14000 | stainless steel | 2 | 4000 | 150 | 35 | 19 | 12,2 | 14 | 39,1 | 20,6 | 48 | 32 | 24,8 | 19 | 3 | 6,5 | 6 | 60,5 | 49,8 | 24 |

Toggle clamps latch horizontal with catch plate

Overview of items

| Order No. | Main material | hole arrangement | Pull force F1 N | Hand force FH N | A | A1 | A2 | A3 | A4 | A5 | B | B1 | B2 | B3 | B5 | D | D1 | H | L1 | Clamping travel L2 |
|--------------------|-----------------|------------------|--------------------|--------------------|----|----|----|----|----|----|----|----|----|----|----|-----|----|------|------|-----------------------|
| K1260.17000 | stainless steel | 1 | 7000 | 200 | 51 | 32 | 8 | 19 | 40 | - | 64 | 45 | 36 | 28 | 4 | 8,6 | 8 | 76,6 | 56,3 | 32 |