

Ball-end thrust screws without head with flattened ball LONG-LOK secured

Item description/product images



Description

Note:

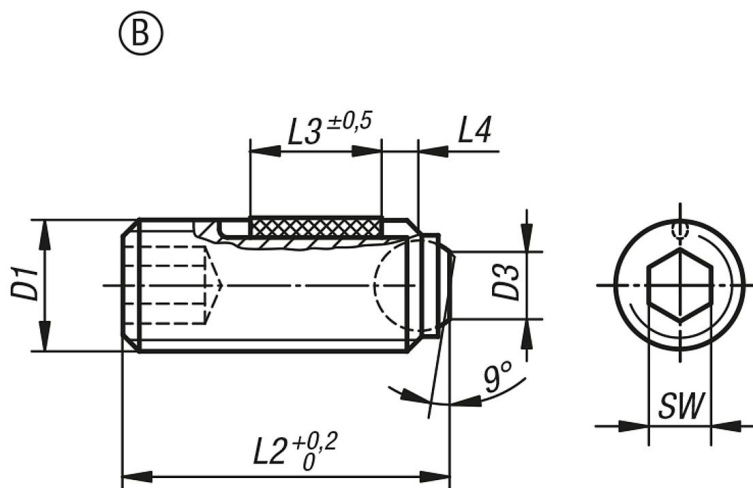
Surfaces which are not flat and parallel can be firmly clamped or supported with a flattened ball, the movable ball can adapt itself up to 9°.

Drawing reference:

Form B: with flattened ball

L4 = approx. 2x pitch

Drawings



Overview of items

Ball-end thrust screws without head, with flattened ball, steel, LONG-LOK secured

Order No.	Form	Component material	D1	D3	L2	L3	Ball Ø	SW	Load rating max. kN (static load only)
K0666.20610	B	ball-bearing steel	M6	3	10,1	3,5	4	3	9
K0666.20616	B	ball-bearing steel	M6	3	16,1	7	4	3	9
K0666.20620	B	ball-bearing steel	M6	3	20,1	7	4	3	9
K0666.20625	B	ball-bearing steel	M6	3	25,1	7	4	3	9
K0666.20650	B	ball-bearing steel	M6	3	50,1	7	4	3	9
K0666.20660	B	ball-bearing steel	M6	3	60,1	7	4	3	9
K0666.20810	B	ball-bearing steel	M8	4,1	10,3	3,5	5,5	4	10
K0666.20812	B	ball-bearing steel	M8	4,1	12,3	5	5,5	4	10
K0666.20820	B	ball-bearing steel	M8	4,1	20,3	8	5,5	4	15
K0666.20825	B	ball-bearing steel	M8	4,1	25,3	8	5,5	4	15
K0666.20830	B	ball-bearing steel	M8	4,1	30,3	8	5,5	4	15
K0666.20850	B	ball-bearing steel	M8	4,1	50,3	8	5,5	4	15
K0666.20860	B	ball-bearing steel	M8	4,1	60,3	8	5,5	4	15
K0666.20880	B	ball-bearing steel	M8	4,1	80,3	8	5,5	4	15
K0666.21012	B	ball-bearing steel	M10	5,6	12,3	5	7	5	20
K0666.21016	B	ball-bearing steel	M10	5,6	16,3	9	7	5	20
K0666.21020	B	ball-bearing steel	M10	5,6	20,3	9	7	5	20
K0666.21025	B	ball-bearing steel	M10	5,6	25,3	9	7	5	20
K0666.21035	B	ball-bearing steel	M10	5,6	35,3	9	7	5	20

Ball-end thrust screws without head with flattened ball LONG-LOK secured

Overview of items

Order No.	Form	Component material	D1	D3	L2	L3	Ball Ø	SW	Load rating max. kN (static load only)
K0666.21216	B	ball-bearing steel	M12	7	16,2	8	8,5	6	30
K0666.21220	B	ball-bearing steel	M12	7	20,2	10	8,5	6	30
K0666.21230	B	ball-bearing steel	M12	7	30,2	10	8,5	6	30
K0666.21240	B	ball-bearing steel	M12	7	40,2	10	8,5	6	30
K0666.21620	B	ball-bearing steel	M16	10,7	20	10	12	8	60
K0666.21625	B	ball-bearing steel	M16	10,7	25	14	12	8	60
K0666.21635	B	ball-bearing steel	M16	10,7	35	14	12	8	60
K0666.21650	B	ball-bearing steel	M16	10,7	50	14	12	8	60