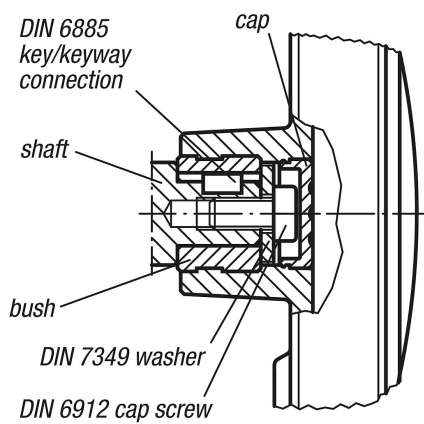


## Handwheels

### Item description/product images



### Description

#### Product description:

The quality of these handwheels is defined by precise rotation and secure grip. The handwheels can be mounted and safely used on high-performance equipment.

#### Material:

Black grey thermoplastic.

#### Version:

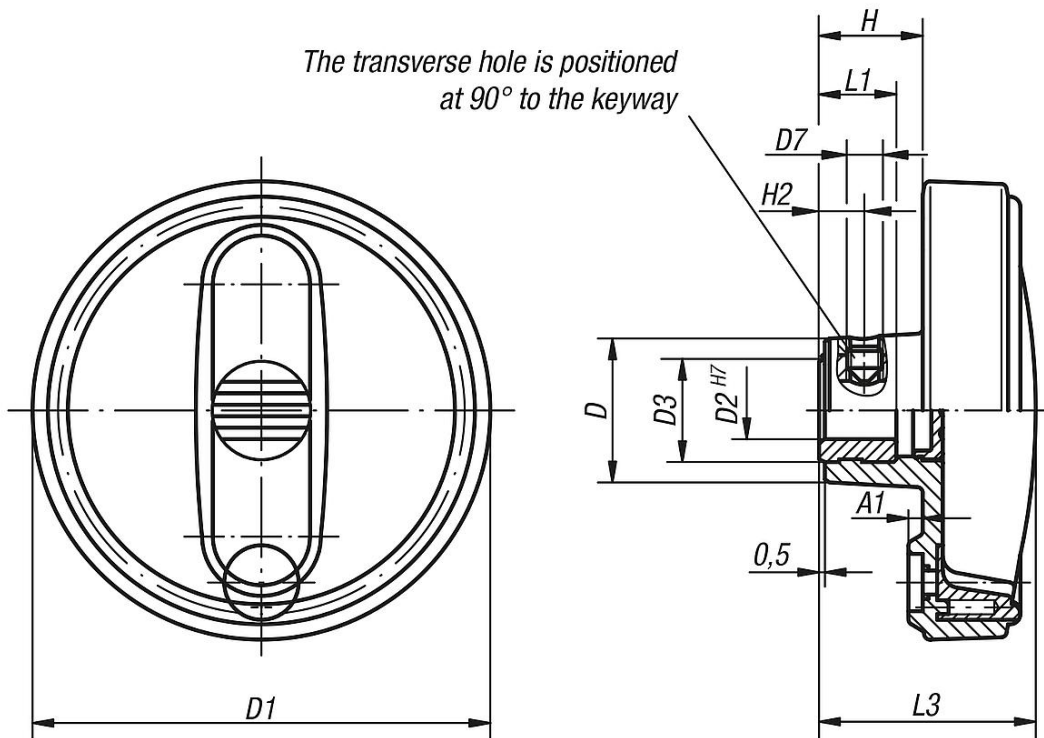
Steel parts black oxidised.

#### Note:

The hub cap is supplied loose.

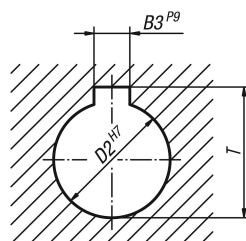
The handwheels can be secured using a transverse pin or by parallel key connection together with a DIN 6912 socket head screw and a DIN 7349 washer.

Versions with transverse bore are fastened using the ISO 4027 (DIN 914) grub screws.



The transverse hole is positioned at  $90^\circ$  to the keyway

DIN 6885-1



Overview of items

Handwheels

| Order No.      | Version               | D  | D1  | D2   | D3 | D7 | A1  | H    | H2 | L1   | L3   | B3 | T    |
|----------------|-----------------------|----|-----|------|----|----|-----|------|----|------|------|----|------|
| K0256.108008   | reamed hole           | 25 | 80  | 8H7  | 19 | -  | 2,5 | 17,5 | -  | 13   | 37,5 | -  | -    |
| K0256.108010   | reamed hole           | 25 | 80  | 10H7 | 19 | -  | 2,5 | 17,5 | -  | 13   | 37,5 | -  | -    |
| K0256.108012   | reamed hole           | 25 | 80  | 12H7 | 19 | -  | 2,5 | 17,5 | -  | 13   | 37,5 | -  | -    |
| K0256.210010   | reamed hole           | 28 | 100 | 10H7 | 19 | -  | 3   | 20   | -  | 13   | 44   | -  | -    |
| K0256.210012   | reamed hole           | 28 | 100 | 12H7 | 19 | -  | 3   | 20   | -  | 13   | 44   | -  | -    |
| K0256.312512   | reamed hole           | 35 | 125 | 12H7 | 25 | -  | 4   | 23,5 | -  | 18,5 | 53   | -  | -    |
| K0256.312514   | reamed hole           | 35 | 125 | 14H7 | 25 | -  | 4   | 23,5 | -  | 18,5 | 53   | -  | -    |
| K0256.312516   | reamed hole           | 35 | 125 | 16H7 | 25 | -  | 4   | 23,5 | -  | 18,5 | 53   | -  | -    |
| K0256.416014   | reamed hole           | 45 | 160 | 14H7 | 25 | -  | 5,6 | 28   | -  | 18,5 | 64,5 | -  | -    |
| K0256.416016   | reamed hole           | 45 | 160 | 16H7 | 25 | -  | 5,6 | 28   | -  | 18,5 | 64,5 | -  | -    |
| K0256.10800802 | reamed hole with slot | 25 | 80  | 8H7  | 19 | -  | 2,5 | 17,5 | -  | 13   | 37,5 | 2  | 9    |
| K0256.10801003 | reamed hole with slot | 25 | 80  | 10H7 | 19 | -  | 2,5 | 17,5 | -  | 13   | 37,5 | 3  | 11,4 |
| K0256.10801204 | reamed hole with slot | 25 | 80  | 12H7 | 19 | -  | 2,5 | 17,5 | -  | 13   | 37,5 | 4  | 13,8 |
| K0256.21001003 | reamed hole with slot | 28 | 100 | 10H7 | 19 | -  | 3   | 20   | -  | 13   | 44   | 3  | 11,4 |
| K0256.21001204 | reamed hole with slot | 28 | 100 | 12H7 | 19 | -  | 3   | 20   | -  | 13   | 44   | 4  | 13,8 |
| K0256.31251204 | reamed hole with slot | 35 | 125 | 12H7 | 25 | -  | 4   | 23,5 | -  | 18,5 | 53   | 4  | 13,8 |
| K0256.31251405 | reamed hole with slot | 35 | 125 | 14H7 | 25 | -  | 4   | 23,5 | -  | 18,5 | 53   | 5  | 16,3 |

## Overview of items

| Order No.       | Version               | D  | D1  | D2   | D3 | D7 | A1  | H    | H2  | L1   | L3   | B3 | T    |
|-----------------|-----------------------|----|-----|------|----|----|-----|------|-----|------|------|----|------|
| K0256.31251605  | reamed hole with slot | 35 | 125 | 16H7 | 25 | -  | 4   | 23,5 | -   | 18,5 | 53   | 5  | 18,3 |
| K0256.41601405  | reamed hole with slot | 45 | 160 | 14H7 | 25 | -  | 5,6 | 28   | -   | 18,5 | 64,5 | 5  | 16,3 |
| K0256.41601605  | reamed hole with slot | 45 | 160 | 16H7 | 25 | -  | 5,6 | 28   | -   | 18,5 | 64,5 | 5  | 18,3 |
| K0256.1080086   | reamed hole           | 25 | 80  | 8H7  | 19 | M6 | 2,5 | 17,5 | 7,5 | 13   | 37,5 | -  | -    |
| K0256.1080106   | reamed hole           | 25 | 80  | 10H7 | 19 | M6 | 2,5 | 17,5 | 7,5 | 13   | 37,5 | -  | -    |
| K0256.1080126   | reamed hole           | 25 | 80  | 12H7 | 19 | M6 | 2,5 | 17,5 | 7,5 | 13   | 37,5 | -  | -    |
| K0256.2100106   | reamed hole           | 28 | 100 | 10H7 | 19 | M6 | 3   | 20   | 7,5 | 13   | 44   | -  | -    |
| K0256.2100126   | reamed hole           | 28 | 100 | 12H7 | 19 | M6 | 3   | 20   | 7,5 | 13   | 44   | -  | -    |
| K0256.3125126   | reamed hole           | 35 | 125 | 12H7 | 25 | M6 | 4   | 23,5 | 7,5 | 18,5 | 53   | -  | -    |
| K0256.3125146   | reamed hole           | 35 | 125 | 14H7 | 25 | M6 | 4   | 23,5 | 7,5 | 18,5 | 53   | -  | -    |
| K0256.3125166   | reamed hole           | 35 | 125 | 16H7 | 25 | M6 | 4   | 23,5 | 7,5 | 18,5 | 53   | -  | -    |
| K0256.4160146   | reamed hole           | 45 | 160 | 14H7 | 25 | M6 | 5,6 | 28   | 7,5 | 18,5 | 64,5 | -  | -    |
| K0256.4160166   | reamed hole           | 45 | 160 | 16H7 | 25 | M6 | 5,6 | 28   | 7,5 | 18,5 | 64,5 | -  | -    |
| K0256.108008026 | reamed hole with slot | 25 | 80  | 8H7  | 19 | M6 | 2,5 | 17,5 | 7,5 | 13   | 37,5 | 2  | 9    |
| K0256.108010036 | reamed hole with slot | 25 | 80  | 10H7 | 19 | M6 | 2,5 | 17,5 | 7,5 | 13   | 37,5 | 3  | 11,4 |
| K0256.108012046 | reamed hole with slot | 25 | 80  | 12H7 | 19 | M6 | 2,5 | 17,5 | 7,5 | 13   | 37,5 | 4  | 13,8 |
| K0256.210010036 | reamed hole with slot | 28 | 100 | 10H7 | 19 | M6 | 3   | 20   | 7,5 | 13   | 44   | 3  | 11,4 |
| K0256.210012046 | reamed hole with slot | 28 | 100 | 12H7 | 19 | M6 | 3   | 20   | 7,5 | 13   | 44   | 4  | 13,8 |
| K0256.312512046 | reamed hole with slot | 35 | 125 | 12H7 | 25 | M6 | 4   | 23,5 | 7,5 | 18,5 | 53   | 4  | 13,8 |
| K0256.312514056 | reamed hole with slot | 35 | 125 | 14H7 | 25 | M6 | 4   | 23,5 | 7,5 | 18,5 | 53   | 5  | 16,3 |
| K0256.312516056 | reamed hole with slot | 35 | 125 | 16H7 | 25 | M6 | 4   | 23,5 | 7,5 | 18,5 | 53   | 5  | 18,3 |
| K0256.416014056 | reamed hole with slot | 45 | 160 | 14H7 | 25 | M6 | 5,6 | 28   | 7,5 | 18,5 | 64,5 | 5  | 16,3 |
| K0256.416016056 | reamed hole with slot | 45 | 160 | 16H7 | 25 | M6 | 5,6 | 28   | 7,5 | 18,5 | 64,5 | 5  | 18,3 |