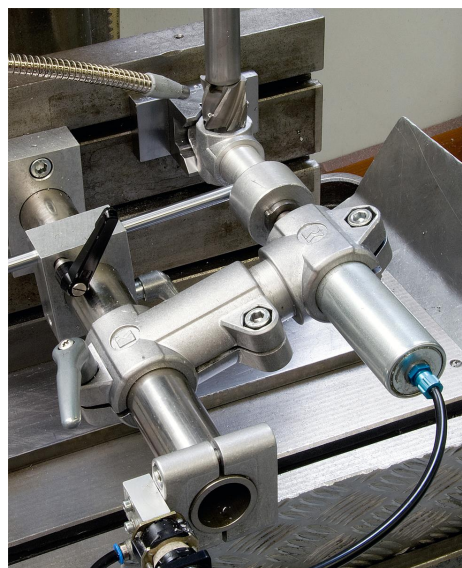


Tube clamps swivel half sunken teeth, plastic

Item description/product images



Description

Material:

Thermoplastic.

DIN 7984 screws and DIN 985 nuts steel.

Version:

Black.

Screws and nuts electro zinc-plated.

Note:

Swivel half clamps with sunken teeth can be combined with swivel half clamps with raised teeth (K0485) to make a complete swivel clamp.

The standard size for round tubes is $\varnothing 18$ mm or $\varnothing 30$ mm. Use reducer sleeves K0492 if smaller tubes are to be clamped or a conversion from round to square tubes is required.

On request:

Plastic levers for locking.

Accessory:

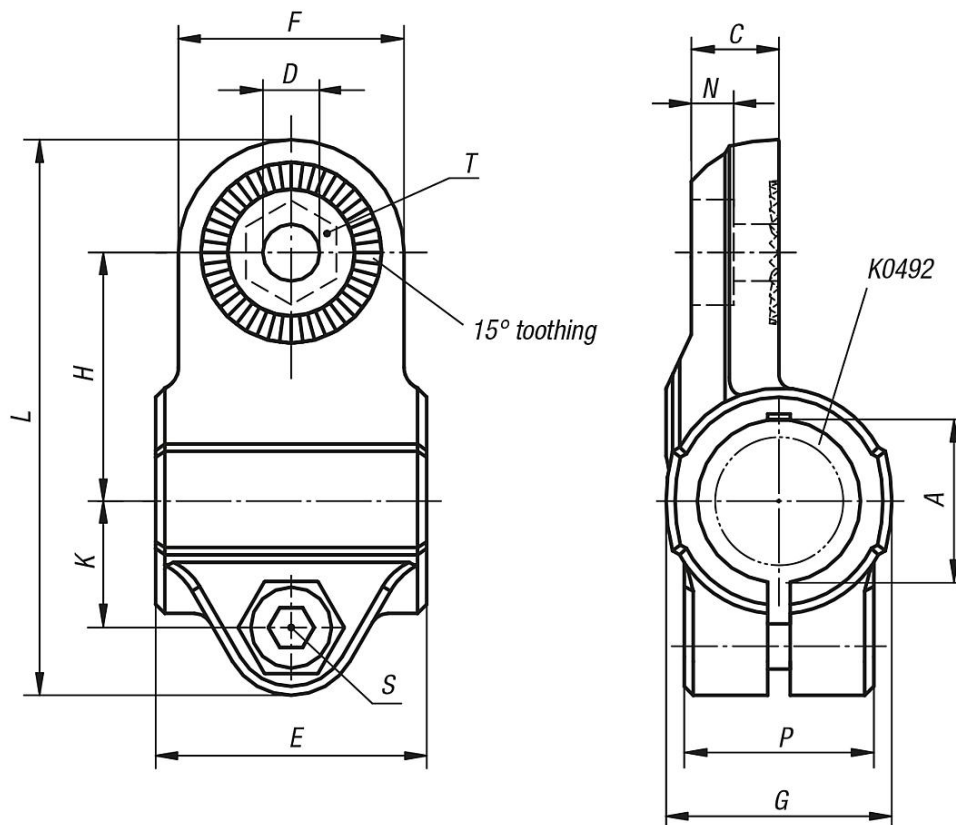
- Reducer sleeves K0492
- Round and square tubes K0493

Tube clamps swivel half sunken teeth, plastic

Item description/product images



Drawings



Overview of items

Tube clamps swivel half, sunken teeth, plastic

Order No.	A	C	D	E	F	G	H	K	L	N	P	S	T
K0486.18	18	9,7	6,1	30	25	25	27,5	14	61,5	5,7	21	M6x18	M6-DIN 985
K0486.30	30	16,5	8,1	45	40	40	43	22,5	95,5	6,5	28,5	M8x25	M8-DIN 985

