

## Toggle clamps vertical with straight foot and full holding arm

### Item description/product images



### Description

**Material:**

Steel.

**Version:**

Electro zinc-plated steel.  
Plastic handle, oil-resistant.

**Note:**

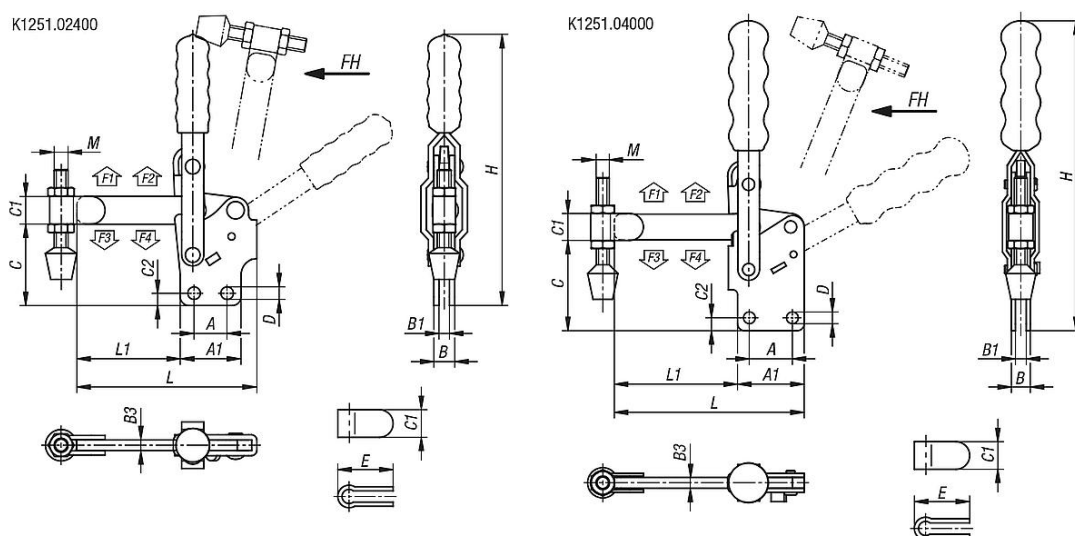
The clamping spindle is supplied with a neoprene thrust pad.  
Spindle bracket is weldable.

**Accessory:**

K0688  
K0689  
K0690  
K0101  
K1442  
K0102  
K0103  
K1443  
K0104  
K0106

## Toggle clamps vertical with straight foot and full holding arm

### Drawings



### Overview of items

#### Toggle clamps vertical with straight foot and full holding arm

Order No.	Opening angle of holding arm		Opening angle of handle			Hand force FH N	Retaining force F1 N	Retaining force F2 N	Clamping force F3 N	Clamping force F4 N				
K1251.02400	100°		56°			150	1200	2400	800	1600				
K1251.04000	112°		61°			250	2000	4000	1400	3000				
Order No.	A	A1	B	B1	B3	C	C1	C2	D	E	H	L	L1	M
K1251.02400	19	34,9	12	6	6	46,8	16	7,1	7,2	31	156	103,4	59,4	M8x63
K1251.04000	31,8	49,2	14	8	8	67,2	19	9,5	8,7	40	229	140,3	91,1	M10x85