

Toggle clamps vertical with angled foot and full holding arm

Item description/product images



Description

Material:

Steel.

Version:

Trivalent passivated.
Plastic grip oil-resistant.

Note:

The opening angle between the holding arm and the handle can be reduced or increased by repositioning or removing the stop pin.
Spindle bracket is weldable.

Accessory:

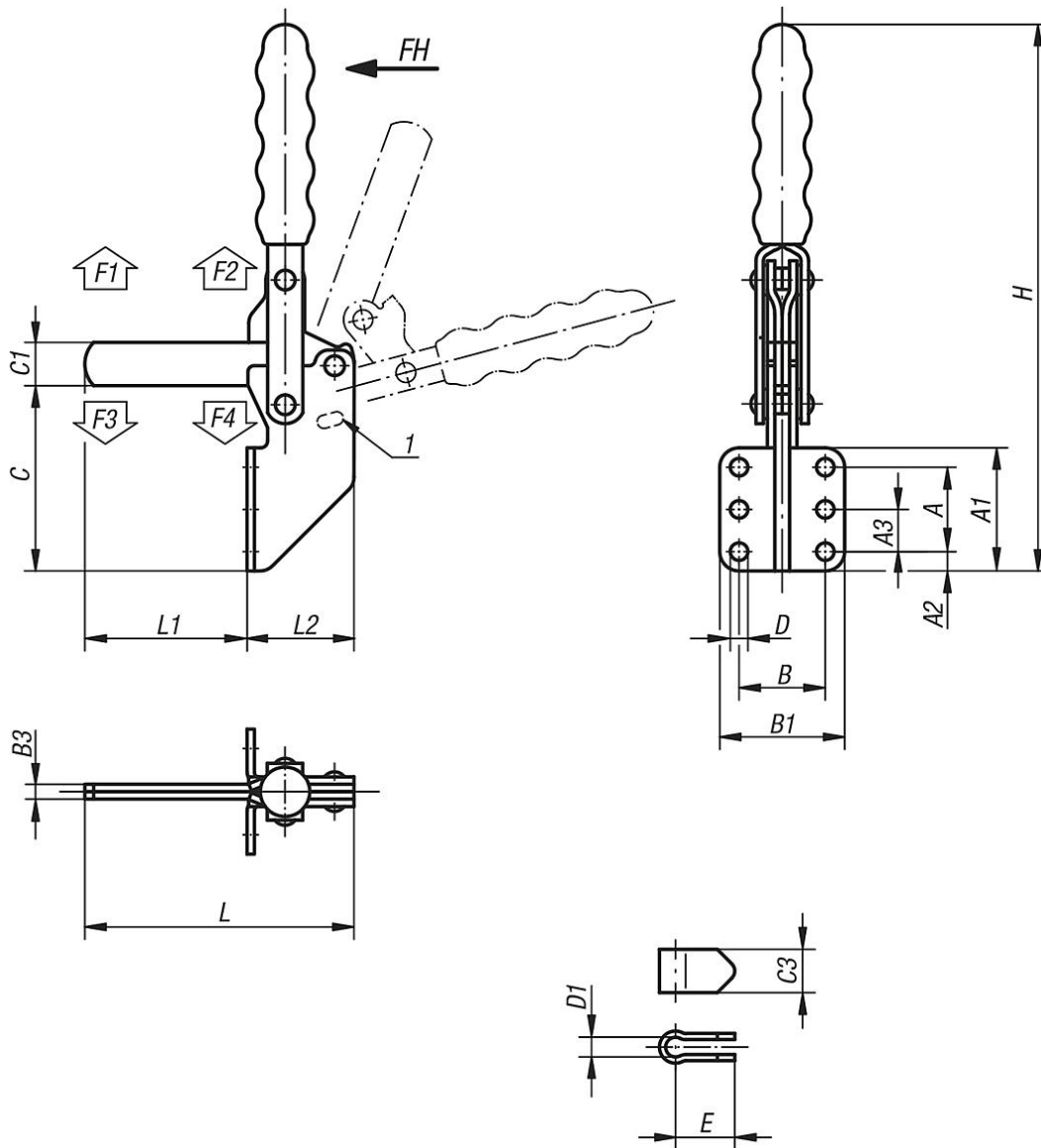
K0100
K0101
K0102
K0103
K0106

Drawing reference:

1) Position 1

Toggle clamps vertical with angled foot and full holding arm

Drawings



Overview of items

Toggle clamps vertical with angled foot and full holding arm

Order No.	Opening angle holding arm position 1			Opening angle holding arm stop pin removed			Opening angle handle position 1			Opening angle handle stop pin removed			Matching plastic grip										
K0064.0300	105°			160°			65°			90°			K0100.28										
Order No.	A	A1	A2	A3	B	B1	B3	C	C1	C3	D	D1	E	H	L	L1	L2	Clamping spindle	Hand force FH N	Retaining force F1 N	Retaining force F2 N	Clamping force F3 N	Clamping force F4 N
K0064.0300	35	51	8	16	35	51	6	82	19	17,5	6,8	8,3	24	235	143	92	51	M8x60	130	2000	3700	900	1850