

Thrust screws LONG-LOK secured

Item description/product images



Description

Material:

Screw grade 10.9.
Pin brass or POM.
LONG-LOK thread lock nylon.

Version:

Screw black oxidised.

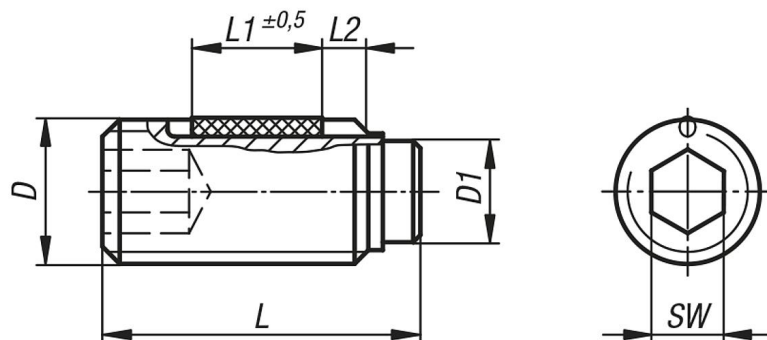
Note:

Thrust screws are ideal for clamping or exerting pressure on threaded spindles, axles, shafts and treated surfaces without marring.

Drawing reference:

L2 = approx. 2x thread pitch

Drawings



Overview of items

Thrust screws, LONG-LOK secured

Order No.	Component material	D	D1	L (L1)	SW
K0668.204X65	brass	M4	2,5	6,5 (2,5)	2
K0668.204X105	brass	M4	2,5	10,5 (3,5)	2
K0668.204X165	brass	M4	2,5	16,5 (5)	2
K0668.204X305	brass	M4	2,5	30,5 (5)	2
K0668.204X405	brass	M4	2,5	40,5 (5)	2
K0668.205X85	brass	M5	3	8,5 (3,5)	2,5
K0668.205X125	brass	M5	3	12,5 (5)	2,5
K0668.205X205	brass	M5	3	20,5 (6)	2,5
K0668.205X305	brass	M5	3	30,5 (6)	2,5
K0668.205X405	brass	M5	3	40,5 (6)	2,5
K0668.206X115	brass	M6	4	11,5 (3,5)	3
K0668.206X175	brass	M6	4	17,5 (7)	3
K0668.206X265	brass	M6	4	26,5 (7)	3
K0668.206X415	brass	M6	4	41,5 (7)	3
K0668.206X515	brass	M6	4	51,5 (7)	3
K0668.206X615	brass	M6	4	61,5 (7)	3
K0668.208X12	brass	M8	5,5	12 (3,5)	4
K0668.208X22	brass	M8	5,5	22 (8)	4
K0668.208X32	brass	M8	5,5	32 (8)	4

Thrust screws LONG-LOK secured

Overview of items

Order No.	Component material	D	D1	L (L1)	SW
K0668.208X52	brass	M8	5,5	52 (8)	4
K0668.208X62	brass	M8	5,5	62 (8)	4
K0668.208X82	brass	M8	5,5	82 (8)	4
K0668.210X14	brass	M10	7	14 (5)	5
K0668.210X18	brass	M10	7	18 (9)	5
K0668.210X27	brass	M10	7	27 (9)	5
K0668.210X37	brass	M10	7	37 (9)	5
K0668.210X52	brass	M10	7	52 (9)	5
K0668.210X62	brass	M10	7	62 (9)	5
K0668.210X82	brass	M10	7	82 (9)	5
K0668.212X185	brass	M12	8,5	18,5 (8)	6
K0668.212X225	brass	M12	8,5	22,5 (10)	6
K0668.212X325	brass	M12	8,5	32,5 (10)	6
K0668.212X425	brass	M12	8,5	42,5 (10)	6
K0668.212X525	brass	M12	8,5	52,5 (10)	6
K0668.212X625	brass	M12	8,5	62,5 (10)	6
K0668.212X825	brass	M12	8,5	82,5 (10)	6
K0668.304X7	polyacetal	M4	2	7 (2,5)	2
K0668.304X9	polyacetal	M4	2	9 (3,5)	2
K0668.304X11	polyacetal	M4	2	11 (3,5)	2
K0668.304X13	polyacetal	M4	2	13 (5)	2
K0668.304X17	polyacetal	M4	2	17 (5)	2
K0668.304X31	polyacetal	M4	2	31 (5)	2
K0668.304X41	polyacetal	M4	2	41 (5)	2
K0668.305X9	polyacetal	M5	3	9 (3,5)	2,5
K0668.305X11	polyacetal	M5	3	11 (3,5)	2,5
K0668.305X13	polyacetal	M5	3	13 (5)	2,5
K0668.305X17	polyacetal	M5	3	17 (6)	2,5
K0668.305X21	polyacetal	M5	3	21 (6)	2,5
K0668.305X31	polyacetal	M5	3	31 (6)	2,5
K0668.305X41	polyacetal	M5	3	41 (6)	2,5
K0668.306X113	polyacetal	M6	3,5	11,3 (3,5)	3
K0668.306X133	polyacetal	M6	3,5	13,3 (5)	3
K0668.306X173	polyacetal	M6	3,5	17,3 (7)	3
K0668.306X213	polyacetal	M6	3,5	21,3 (7)	3
K0668.306X263	polyacetal	M6	3,5	26,3 (7)	3
K0668.306X413	polyacetal	M6	3,5	41,3 (7)	3
K0668.306X513	polyacetal	M6	3,5	51,3 (7)	3
K0668.306X613	polyacetal	M6	3,5	61,3 (7)	3
K0668.308X136	polyacetal	M8	5	13,6 (5)	4
K0668.308X176	polyacetal	M8	5	17,6 (8)	4
K0668.308X216	polyacetal	M8	5	21,6 (8)	4
K0668.308X266	polyacetal	M8	5	26,6 (8)	4
K0668.308X336	polyacetal	M8	5	33,6 (8)	4
K0668.308X516	polyacetal	M8	5	51,6 (8)	4
K0668.308X616	polyacetal	M8	5	61,6 (8)	4
K0668.308X816	polyacetal	M8	5	81,6 (8)	4
K0668.310X179	polyacetal	M10	6,5	17,9 (9)	5
K0668.310X219	polyacetal	M10	6,5	21,9 (9)	5
K0668.310X269	polyacetal	M10	6,5	26,9 (9)	5
K0668.310X339	polyacetal	M10	6,5	33,9 (9)	5
K0668.310X419	polyacetal	M10	6,5	41,9 (9)	5
K0668.310X519	polyacetal	M10	6,5	51,9 (9)	5
K0668.310X619	polyacetal	M10	6,5	61,9 (9)	5
K0668.310X819	polyacetal	M10	6,5	81,9 (9)	5
K0668.312X221	polyacetal	M12	8	22,1 (10)	6
K0668.312X271	polyacetal	M12	8	27,1 (10)	6
K0668.312X341	polyacetal	M12	8	34,1 (10)	6
K0668.312X421	polyacetal	M12	8	42,1 (10)	6
K0668.312X521	polyacetal	M12	8	52,1 (10)	6
K0668.312X621	polyacetal	M12	8	62,1 (10)	6
K0668.312X821	polyacetal	M12	8	82,1 (10)	6

