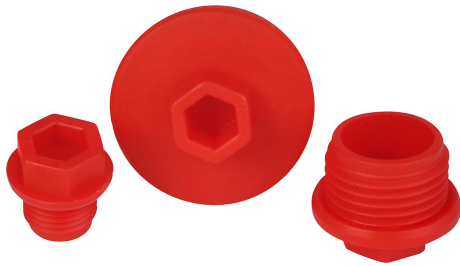


Screw plugs

Item description/product images



Description

Material:

Elastomer, soft polyurethane

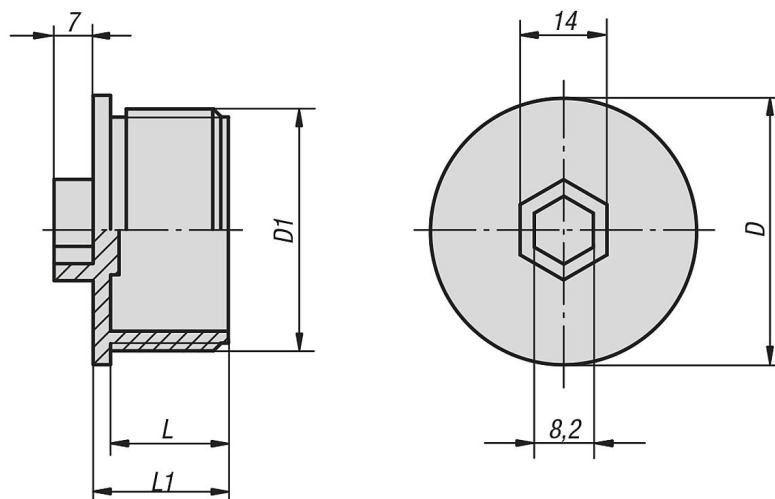
Version:

Red

Note:

The double-lip seal guarantees a seal for pressures of 2-3 bar. It also keeps paint out during painting.

Drawings



Overview of items

Screw plugs

Order No.	D	D1	L	L1
K0449.018	16,2	G1/8	8	10
K0449.014	18,1	G1/4	9,9	12,5
K0449.038	21	G3/8	9	11
K0449.012	25,2	G1/2	11	14
K0449.034	31,3	G3/4	11,5	14
K0449.100	36	G1	12	15,5