

## Crank handles with revolving grip

### Item description/product images



### Description

#### Product description:

These crank handles set future trends in all fields.

They combine sophisticated technology with easy handling and universal application.

#### Material:

Black grey thermoplastic.

#### Version:

Steel parts black oxidised.

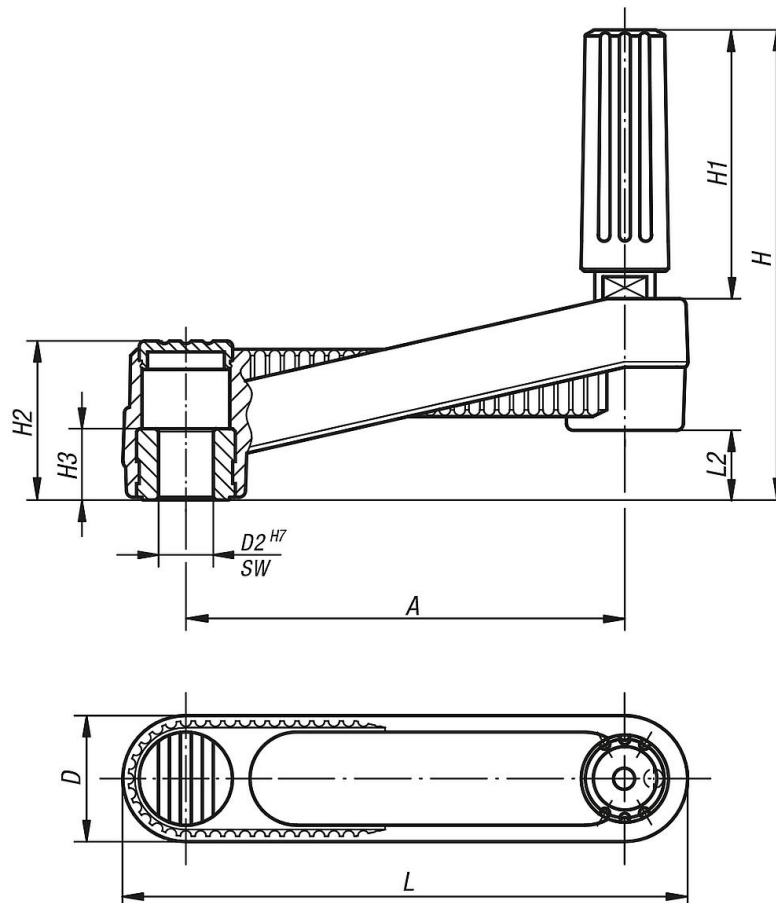
#### Note:

The hub cap and the revolving grip are supplied loose.

To assemble the handle simply screw the grip into the existing hole.

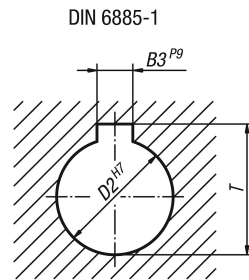
The crank handles can be secured to a shaft by using a transverse pin or by parallel key connection together with a DIN 6912 cap screw and a DIN 7349 washer.

### Drawings



# Crank handles with revolving grip

## Drawings



## Overview of items

### Crank handles with revolving grip

Order No.	Version	A	D	D2	H	H1	H2	H3	L	L2	B3	SW	T
K0659.3108	reamed hole	80	24	8	85.5	49	29	13	104	13	-	-	-
K0659.3110	reamed hole	80	24	10	85.5	49	29	13	104	13	-	-	-
K0659.3210	reamed hole	100	29	10	105	59,5	36	13	129	16	-	-	-
K0659.3212	reamed hole	100	29	12	105	59,5	36	13	129	16	-	-	-
K0659.3312	reamed hole	125	36	12	140	83,5	44	18,5	161	19,5	-	-	-
K0659.3314	reamed hole	125	36	14	140	83,5	44	18,5	161	19,5	-	-	-
K0659.310802	reamed hole with slot	80	24	8	85.5	49	29	13	104	13	2	-	9
K0659.311003	reamed hole with slot	80	24	10	85.5	49	29	13	104	13	3	-	11,4
K0659.321003	reamed hole with slot	100	29	10	105	59,5	36	13	129	16	3	-	11,4
K0659.321204	reamed hole with slot	100	29	12	105	59,5	36	13	129	16	4	-	13,8
K0659.331204	reamed hole with slot	125	36	12	140	83,5	44	18,5	161	19,5	4	-	13,8
K0659.331405	reamed hole with slot	125	36	14	140	83,5	44	18,5	161	19,5	5	-	16,3
K0659.4108	square socket	80	24	-	85.5	49	29	13	104	13	-	8	-
K0659.4110	square socket	80	24	-	85.5	49	29	13	104	13	-	10	-
K0659.4210	square socket	100	29	-	105	59,5	36	13	129	16	-	10	-
K0659.4212	square socket	100	29	-	105	59,5	36	13	129	16	-	12	-
K0659.4312	square socket	125	36	-	140	83,5	44	18,5	161	19,5	-	12	-
K0659.4314	square socket	125	36	-	140	83,5	44	18,5	161	19,5	-	14	-