

Rest pads

Item description/product images



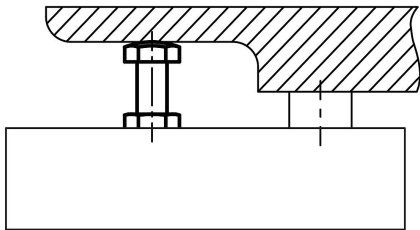
Description

Material:

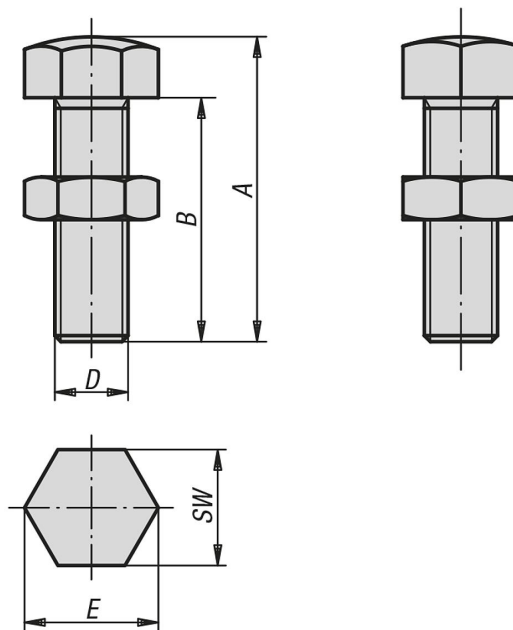
Carbon steel or brass

Version:

Tempered and black oxidised.



Drawings



Overview of items

Rest pads

| Order No. | Material | A | B | D | E | SW |
|-------------|-------------------|----|----|-----|------|----|
| K0307.06030 | high carbon steel | 30 | 25 | M6 | 11,5 | 10 |
| K0307.06040 | high carbon steel | 40 | 35 | M6 | 11,5 | 10 |
| K0307.06050 | high carbon steel | 50 | 45 | M6 | 11,5 | 10 |
| K0307.08036 | high carbon steel | 36 | 30 | M8 | 15 | 13 |
| K0307.08046 | high carbon steel | 46 | 40 | M8 | 15 | 13 |
| K0307.08056 | high carbon steel | 56 | 50 | M8 | 15 | 13 |
| K0307.10042 | high carbon steel | 42 | 35 | M10 | 19,6 | 17 |
| K0307.10048 | high carbon steel | 48 | 40 | M10 | 19,6 | 17 |

Rest pads

Overview of items

| Order No. | Material | A | B | D | E | SW |
|-------------|-------------------|----|----|-----|------|----|
| K0307.10058 | high carbon steel | 58 | 50 | M10 | 19,6 | 17 |
| K0307.10068 | high carbon steel | 68 | 60 | M10 | 19,6 | 17 |
| K0307.12048 | high carbon steel | 50 | 42 | M12 | 21,9 | 19 |
| K0307.12070 | high carbon steel | 70 | 60 | M12 | 21,9 | 19 |
| K0307.12080 | high carbon steel | 80 | 70 | M12 | 21,9 | 19 |
| K0307.16055 | high carbon steel | 55 | 45 | M16 | 27,7 | 24 |
| K0307.16075 | high carbon steel | 75 | 65 | M16 | 27,7 | 24 |
| K0307.16085 | high carbon steel | 85 | 75 | M16 | 27,7 | 24 |
| K0307.12148 | brass | 50 | 42 | M12 | 21,9 | 19 |
| K0307.16155 | brass | 55 | 45 | M16 | 27,7 | 24 |