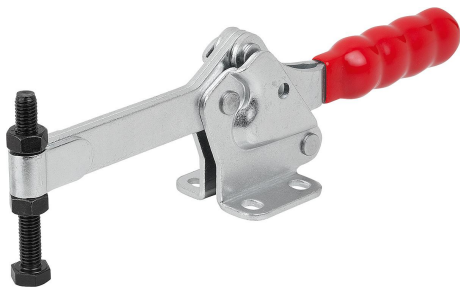


# Toggle clamps horizontal with horizontal foot and full holding arm

## Item description/product images



### Description

**Material:**  
Steel.

**Version:**  
Electro zinc-plated steel.  
Plastic handle, oil-resistant.

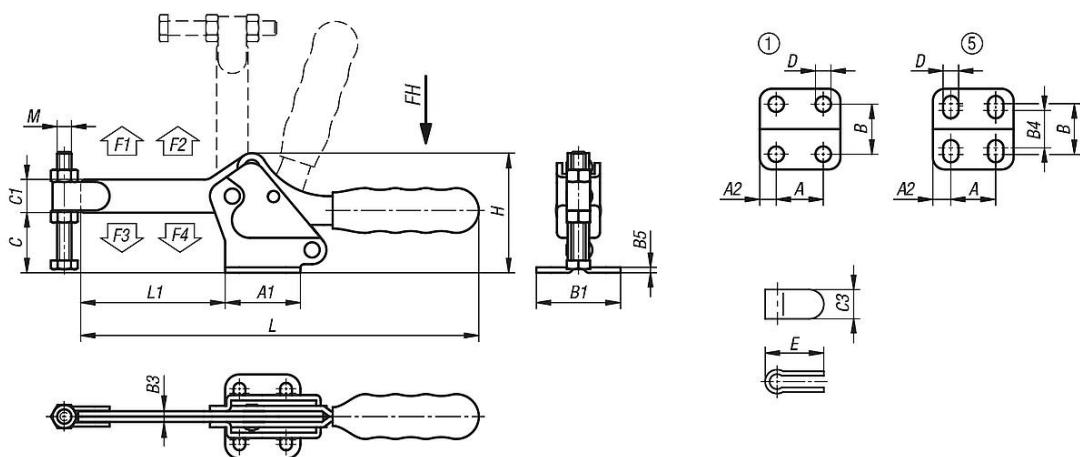
**Note:**  
spindle bracket weldable.

### Accessory:

- K0688
- K0689
- K0690
- K0101
- K1442
- K0102
- K0103
- K1443
- K0104
- K0106
- K1431



## Drawings



## Overview of items

### Toggle clamps horizontal with flat foot and full holding arm

## Toggle clamps horizontal with horizontal foot and full holding arm

### Overview of items

| Order No.          | hole arrangement |    |    | Opening angle of holding arm |    |    |    |    | Opening angle of handle |      |    |     |    | Hand force FH N | Retaining force F1 N | Retaining force F2 N | Clamping force F3 N | Clamping force F4 N |
|--------------------|------------------|----|----|------------------------------|----|----|----|----|-------------------------|------|----|-----|----|-----------------|----------------------|----------------------|---------------------|---------------------|
| <b>K1435.01400</b> | 5                |    |    | 90°                          |    |    |    |    | 72°                     |      |    |     |    | 200             | 1400                 | 3400                 | 800                 | 1900                |
| <b>K1435.02400</b> | 5                |    |    | 94°                          |    |    |    |    | 76°                     |      |    |     |    | 250             | 2400                 | 5400                 | 1100                | 3000                |
| <b>K1435.03000</b> | 1                |    |    | 94°                          |    |    |    |    | 80°                     |      |    |     |    | 250             | 3000                 | 6400                 | 1100                | 3000                |
| Order No.          | A                | A1 | A2 | B                            | B1 | B3 | B4 | B5 | C                       | C1   | C3 | D   | E  | H               | L                    | L1                   | M                   |                     |
| <b>K1435.01400</b> | 26               | 42 | 8  | 31                           | 47 | 6  | 26 | 3  | 34                      | 17,5 | 16 | 6,6 | 31 | 67              | 224                  | 82                   | M8x60               |                     |
| <b>K1435.02400</b> | 41,2             | 59 | 9  | 43                           | 59 | 8  | 39 | 4  | 45                      | 23   | 20 | 8,7 | 40 | 90,1            | 280                  | 111                  | M10x80              |                     |
| <b>K1435.03000</b> | 41,2             | 66 | 13 | 41,3                         | 67 | 10 | -  | 5  | 59                      | 26   | 23 | 8,7 | 44 | 111             | 307                  | 130                  | M12x100             |                     |